

GlobTek, Inc. www.globtek.com 186 Veterans Drive, Northvale, NJ 07647 Tel. (201) 784-1000 Fax (201) 784-0111	Drawing Title: GT-96180-1856-T2-AP, PoE, Active Power Injector, Efficiency Level: VI, Case Color/Style: GlobTek Black, Wall Plug-in+Desktop Combination, Single Port Power Over Ethernet Midspan (IEEE802.3af PoE PSE), Input Rating: 100-240V~, 50-60 Hz, IEC 60320/C8 , Output Rating: 18W, 56V@0.32A, Output Configuration: N/A mm, N/A/ Cond, N/A, None, Ferrite: None, N/A, GT Cord # C0745, Pin Out: , Blades/Input Cord: (Order Separately), Approvals: CB Patent US9838207B2 EAC WEEE VCCI Ukraine CE RoHS China RoHS Level VI Double Insulation CB PSE ETL S-Mark CB	
	Model No. GT-96180-1856-T2-AP	
	Part No./Ordering No. GT-96180-1856-T2APOE	Rev D

REVISION HISTORY

REV	DESCRIPTION	SUB	DATE	APPROVED
D	update I/P current to 0.6A	QA	05/16/2018	QA
C	Add Input configuration, remove R-Kit drawing	QA	04/27/2018	QA
B	Adding case picture into enclosure.	rchiu	09/12/2016	QA
A	Initial release.	rchiu	08/17/2016	QA

In Addition to GlobTek Inc.'s renewed ISO9001:2008 - Quality Management System Certification, GlobTek Inc. is now certified to:

ISO13485:2003 - Medical Devices Quality Management System Certification
ISO14001:2004 - Environmental Management System Certification

ISO Certificates are available online at <http://www.globtek.com/iso-certificates/>

Customer Approval of Specification:

Please approve, sign and send back to GlobTek so we can complete order processing.

A delay in receipt of this form will delay delivery schedule.

Company Name:

Customer P/N:

Quote Number:

Date:

Authorized Representative Name:

Authorized Representative Signature:

The acceptance of this specification and use of the product described in this document indicates the acceptance and binding of the customer to Globtek terms and conditions, which supersede all other agreements, terms, and conditions (<http://en.globtek.com/terms-and-conditions/>).

Footnote:

GlobTek Inc. will not be liable for the safety and performance of these power supplies if unauthorized access and repair occurs. End user should consult applicable UL, CSA or EN standards for proper installation instruction.

Limitation of Use:

GlobTek product are not authorized for use as mission critical components in life support hazardous environment, nuclear or aircraft applications without prior written approval from the CEO of GlobTek Inc.

Contents of this document are subject to change without prior notice.

GT-96180-1856-T2-AP, 18W, 56V@0.32A, Wall Plug-in+Desktop Combination, Single Port Power Over Ethernet Midspan (IEEE802.3af PoE PSE)

PROPRIETARY INFORMATION

PROPRIETARY OF GLOBTEK, INC. ANY REPRODUCTION, DISCLOSURE OR USE OF THIS DRAWING, IN WHOLE OR IN PART, IS HEREBY PROHIBITED EXCEPT AS SPECIFIED IN WRITING BY GLOBTEK, INC.

quest /08/20/2018 7:43:52 AM

GlobTek, Inc. www.globtek.com 186 Veterans Drive, Northvale, NJ 07647 Tel. (201) 784-1000 Fax (201) 784-0111	Drawing Title: GT-96180-1856-T2-AP, PoE, Active Power Injector, Efficiency Level: VI, Case Color/Style: GlobTek Black, Wall Plug-in+Desktop Combination, Single Port Power Over Ethernet Midspan (IEEE802.3af PoE PSE), Input Rating: 100-240V~, 50-60 Hz, IEC 60320/C8 , Output Rating: 18W, 56V@0.32A, Output Configuration: N/A mm, N/A/ Cond, N/A, None, Ferrite: None, N/A, GT Cord # C0745, Pin Out: , Blades/Input Cord: (Order Separately), Approvals: CB Patent US9838207B2 EAC WEEE VCCI Ukraine CE RoHS China RoHS Level VI Double Insulation CB PSE ETL S-Mark CB	
	Model No. GT-96180-1856-T2-AP	
	Part No./Ordering No. GT-96180-1856-T2APOE	Rev D

POWER SUPPLY INFORMATION

TYPE: Wall Plug-in+Desktop Combination
TECHNOLOGY: Single Port Power Over Ethernet Midspan (IEEE802.3af PoE PSE)
CASE COLOR: GlobTek Black
NAMEPLATE RATED INPUT: 100-240V~, 50-60 Hz, 0.6A
INPUT CONFIG: IEC 60320/C8
WATTS: 18.0
VOLTS OUT: 56
CURRENT OUT (Amps): 0.32
BLADE/CORD INCLUDED: None:
BLADE/CORD INSTALLED: None:
GROUNDING CONFIGURATION(F1) Class II / Double Insulated
EFFICIENCY LEVEL: VI
OUTPUT CONFIGURATION N/A mm, N/A/ Cond, N/A, None, Ferrite: None, N/A, GT Cord # C0745
CONNECTOR PIN OUT:
LABEL SPECS: Standard GT,L-1186
PACK SPEC: Standard, Cellular packaging

Notes/Modifications/Customizations (notes in this section supersede the values shown in the standard spec):

DIMENSIONS ARE IN MM UNLESS SPECIFIED OTHERWISE.

GloTek, Inc. www.globtek.com 186 Veterans Drive, Northvale, NJ 07647 Tel. (201) 784-1000 Fax (201) 784-0111	Drawing Title: GT-96180-1856-T2-AP, PoE, Active Power Injector, Efficiency Level: VI, Case Color/Style: GlobTek Black, Wall Plug-in+Desktop Combination, Single Port Power Over Ethernet Midspan (IEEE802.3af PoE PSE), Input Rating: 100-240V~, 50-60 Hz, IEC 60320/C8 , Output Rating: 18W, 56V@0.32A, Output Configuration: N/A mm, N/A/ Cond, N/A, None, Ferrite: None, N/A, GT Cord # C0745, Pin Out: , Blades/Input Cord: (Order Separately), Approvals: CB Patent US9838207B2 EAC WEEE VCCI Ukraine CE RoHS China RoHS Level VI Double Insulation CB PSE ETL S-Mark CB	
	Model No. GT-96180-1856-T2-AP	
	Part No./Ordering No. GT-96180-1856-T2APOE	Rev D

ELECTRICAL SPECIFICATIONS

GloTek's GT-96180-18VV Power over Ethernet Midspan offers cost effective and reliable solution for remote powering of Wireless LAN Access Points, Voice over IP phones, Security Cameras, RFID readers and other IP terminals up to 18 Watts over existing network infrastructure. GloTek PoE Midspan can be configured to 18watts of power per port over two pairs in compliance with IEEE 802.3af standard. When the load device is connected, GloTek's PoE Midspan will initiate automatic detection process and only those terminals that are found valid will be powered. GloTek's PoE Midspan is designed to function with and provide power to any IEEE 802.3af compliant PoE devices.

MAIN FEATURES

- Withstands high energy EMI Immunity events without going into latched shutdown state
- Midspan can be configured to 18W per port for IEEE 802.3af compliance
- IEEE 802.3af Detection, Disconnect and Overload Protection
- LED User Interface for Power Good and Fault Conditions
- Designed to meet 10/100/1000 BaseT Data Rates
- Universal Input Power from 100Vac to 240Vac
- Green Design: Compliant to DoE efficiency level VI requirement.
- Full Protection for Over Voltage and Current
- Compact 104 x 54 x 40 mm (w/o MTG Flange)

APPLICATIONS

- VoIP Phones
- VoIP Phone with Video
- Wireless Access Points
- Bluetooth Access Points
- Multi-Band Wireless Access Points
- Network Security Cameras
- Point of Sales
- Industrial Controllers
- Electronic Time Card Readers
- Building Security Systems
- Network Camera with Pan, Tilt and Zoom Features
- Electronic Signs
- RFID Readers
- Motion Sensors
- HVAC Controllers
- Magnetic Card Readers
- PDAs
- Digital Time clock

A) ELECTRICAL SPECIFICATIONS:

INPUT

Input Range: 90-264 Vac (85-264Vac @ 85% of rated output power)

Input Line Frequency: 47-63Hz

Input Current:< 0.6A RMS @ 90Vac Full Load

Inrush Current: 60A Typical, Cold Start @ 25°C at 230Vac

No load power < 100mW

Efficiency: >85%, 4 Point Avg Efficiency

Turn on-delay: 1 Second Typical @ 115Vac

Input Line Protection: MOV Transient protected.

Hold-up Time: 8ms Typical at nominal input voltage and full load

Leakage current: <100uA

Isolation: 3000VAC

GlobTek, Inc. www.globtek.com 186 Veterans Drive, Northvale, NJ 07647 Tel. (201) 784-1000 Fax (201) 784-0111	Drawing Title: GT-96180-1856-T2-AP, PoE, Active Power Injector, Efficiency Level: VI, Case Color/Style: GlobTek Black, Wall Plug-in+Desktop Combination, Single Port Power Over Ethernet Midspan (IEEE802.3af PoE PSE), Input Rating: 100-240V~, 50-60 Hz, IEC 60320/C8 , Output Rating: 18W, 56V@0.32A, Output Configuration: N/A mm, N/A/ Cond, N/A, None, Ferrite: None, N/A, GT Cord # C0745, Pin Out: , Blades/Input Cord: (Order Separately), Approvals: CB Patent US9838207B2 EAC WEEE VCCI Ukraine CE RoHS China RoHS Level VI Double Insulation CB PSE ETL S-Mark CB	
	Model No. GT-96180-1856-T2-AP	
	Part No./Ordering No. GT-96180-1856-T2APOE	Rev D

OUTPUT

Number of Ports: One

Data Rates: Designed to Meet 10/100/1000 Mb/s Ethernet Speed

Power Injection Method: For IEEE 802.3af Midspan, 4&5 for V+ and 7&8 for Common

Port Voltage: For IEEE 802.3af Midspan;
56Vdc Nominal at pins 4&5 to 7&8

Port Current: For IEEE 802.3af Midspan;
0 to 320mA maximum for pins 4&5 to 7&8

Port Power: For IEEE 802.3af Midspan; 18W at pins 4&5 to 7&8

Port Voltage Regulation: Meets IEEE 802.3af Requirements

Port Voltage Ripple: Meets IEEE 802.3af Requirements

Port Voltage Transient Performance: Meets IEEE 802.3af Requirements

Port Overload Protection: Meets IEEE 802.3af Requirements. Port will shutdown during overload and auto recover when overload is removed.

Port Short Circuit Protection: Meets IEEE 802.3af Requirements. Port will shutdown during short circuit and auto recover when short is removed.

Port Power Disconnection Method: DC Disconnect. 10mA minimum load required to maintain Vport

User Interface: Green LED for Vport Valid, Flashes when Fault is detected

ENVIRONMENTAL

Temperature: Operating, -10C to 40C

Storage, -30C to 80C

Humidity: 0% to 95% Relative Humidity, Non-Condensing

Altitude: Operating, Up to 5000 m

MECHANICALS

Dimensions: 104*54*40 mm (w/o MTG Flange)

Weight: 0.35 Lb, 155 gr.

AC Input Connector: IEC 320 Inlet, C14, C8, C6 or C18 Style

Data and Data+Power Connector: Fully Shielded RJ45

D) EMISSIONS and IMMUNITY

Emission: Meets FCC Class B Part 15, EN55022 Class B

Immunity: Meets the following;

EN61000-6-2 (Industrial Level Immunity Compliance, extended levels shown in parenthesis)

EN 61000-4-2 ESD (+/-18KV Air, +/-8KV Contact, criteria A) (+/-20KV Air, +/-10KV Contact, criteria B)

EN 61000-4-3 Radiated Immunity

EN 61000-4-4 EFT (+/-2.5KV, criteria A) (+/-4KV, criteria B)

EN 61000-4-5 Surge (+/-2KV Line-Line, +/-4KV Line to Gnd, criteria A)

EN 61000-4-6 Conducted Susceptibility

EN 61000-4-11 Voltage Dips and Interrupts

EN 61000-3-2 Harmonics, Class A

SAFETY APPROVALS

Compliant Standards: See listings at end of this drawing for specifics

PROPRIETARY INFORMATION

PROPRIETARY OF GLOBTEK, INC. ANY REPRODUCTION, DISCLOSURE OR USE OF THIS DRAWING, IN WHOLE OR IN PART, IS HEREBY PROHIBITED EXCEPT AS SPECIFIED IN

WRITING BY GLOBTEK, INC.

quest /08/20/2018 7:43:52 AM

GlobTek, Inc. www.globtek.com 186 Veterans Drive, Northvale, NJ 07647 Tel. (201) 784-1000 Fax (201) 784-0111	Drawing Title: GT-96180-1856-T2-AP, PoE, Active Power Injector, Efficiency Level: VI, Case Color/Style: GlobTek Black, Wall Plug-in+Desktop Combination, Single Port Power Over Ethernet Midspan (IEEE802.3af PoE PSE), Input Rating: 100-240V~, 50-60 Hz, IEC 60320/C8, Output Rating: 18W, 56V@0.32A, Output Configuration: N/A mm, N/A/ Cond, N/A, None, Ferrite: None, N/A, GT Cord # C0745, Pin Out: , Blades/Input Cord: (Order Separately), Approvals: CB Patent US9838207B2 EAC WEEE VCCI Ukraine CE RoHS China RoHS Level VI Double Insulation CB PSE ETL S-Mark CB	
	Model No. GT-96180-1856-T2-AP	
	Part No./Ordering No. GT-96180-1856-T2APOE	Rev D

IEEE 802.3af: Unit Tested per the requirements of IEEE 802.3af

INTEROPERABILITY: Unit's interoperability performance verified with various third party PoE enabled systems. See table below.

SPECIAL OPTIONS

1. Custom Markings
2. High Rel PCB laminate with Plated through Holes for IPC610 Class 2 Compliance
3. Special Housing Colors

18W PoE Injector, Ethernet InterOperability and Compatibility Testing

Injector tested: *Model GT-96180-1856*, rated 18W output, 56Vdc, IEEE802.3-2003 af Compliant

Note, assuming 80% eff splitter, max Pout = 14.4W (14.4/18 = 0.8)

Splitter Model Used	Splitter Description	Splitter O/P Power Rating	Splitter Load During Testing
GlobTek GT-91087	5V, af type	8W	7.5W
PowerDSine PD-AS-601/5	5V, af type	10W	
Linksys POEES5	5V, af type	10W	
Axis 5008-001-02	5V, af type	10W	14W
PowerDSine PD-AS-701/12	12V, at type	24W	
Phihong POE21-120-R	12V, at type	21W	
Cisco 7970 Series Phone	IP Phone, af type	Input to Phone rating 48V, 0.38A	

100BaseT/1000 Base T network digital transmission testing

(During testing ethernet communications is passed thru Injector and then Splitter and then to a computer)

Injector tested: *Model GT-96180-1856*, rated 18W output, 56Vdc, IEEE802.3-2003 af Compliant

Injector is Gigabit designed and tested, to 100 Base T and 1000 Base T

Splitter Model Used	Splitter Description	P/F	Notes:
Axis 5008-001-02	100 Base T rating	P	Limited bandwidth splitter
PowerDSine PD-AS-701/12	1000 Base T rating	P	Full bandwidth splitter

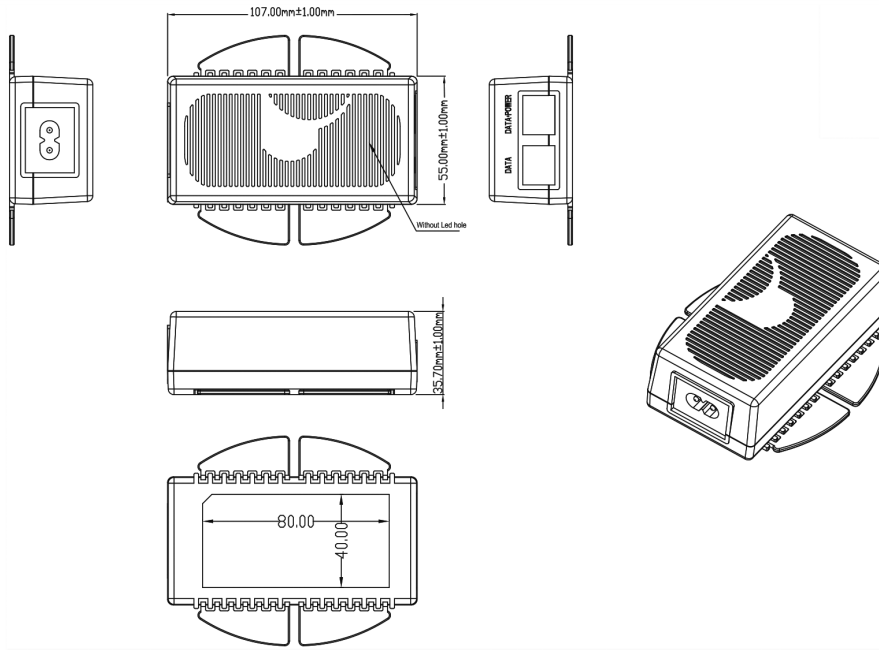
GlobTek, Inc.
 www.globtek.com
 186 Veterans Drive,
 Northvale, NJ 07647
 Tel. (201) 784-1000
 Fax (201) 784-0111

Drawing Title: GT-96180-1856-T2-AP, PoE, Active Power Injector, Efficiency Level: VI, Case Color/Style: GlobTek Black, Wall Plug-in+Desktop Combination, Single Port Power Over Ethernet Midspan (IEEE802.3af PoE PSE), Input Rating: 100-240V~, 50-60 Hz, IEC 60320/C8 , Output Rating: 18W, 56V@0.32A, Output Configuration: N/A mm, N/A/ Cond, N/A, None, Ferrite: None, N/A, GT Cord # C0745, Pin Out: , Blades/Input Cord: (Order Separately), Approvals: CB Patent US9838207B2 EAC WEEE VCCI Ukraine CE RoHS China RoHS Level VI Double Insulation CB PSE ETL S-Mark CB

Model No. GT-96180-1856-T2-AP

Part No./Ordering No. GT-96180-1856-T2APOE

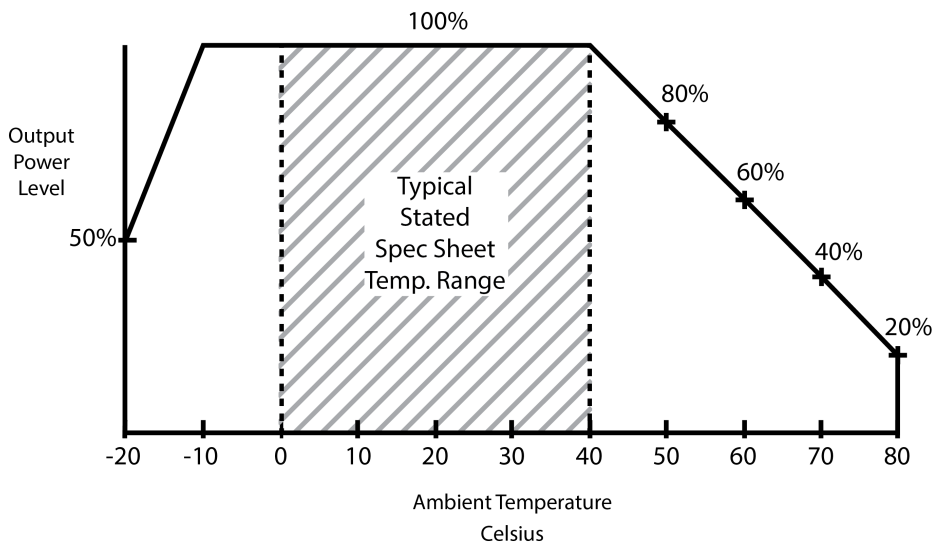
Rev D



DERATING CURVE

**Typical External
 Power Supply Derating Curve**

(For Efficiency Level V and Efficiency Level VI Products)



GloTek, Inc. www.globtek.com 186 Veterans Drive, Northvale, NJ 07647 Tel. (201) 784-1000 Fax (201) 784-0111	Drawing Title: GT-96180-1856-T2-AP, PoE, Active Power Injector, Efficiency Level: VI, Case Color/Style: GlobTek Black, Wall Plug-in+Desktop Combination, Single Port Power Over Ethernet Midspan (IEEE802.3af PoE PSE), Input Rating: 100-240V~, 50-60 Hz, IEC 60320/C8 , Output Rating: 18W, 56V@0.32A, Output Configuration: N/A mm, N/A/ Cond, N/A, None, Ferrite: None, N/A, GT Cord # C0745, Pin Out: , Blades/Input Cord: (Order Separately), Approvals: CB Patent US9838207B2 EAC WEEE VCCI Ukraine CE RoHS China RoHS Level VI Double Insulation CB PSE ETL S-Mark CB	
	Model No. GT-96180-1856-T2-AP	
	Part No./Ordering No. GT-96180-1856-T2APOE	Rev D

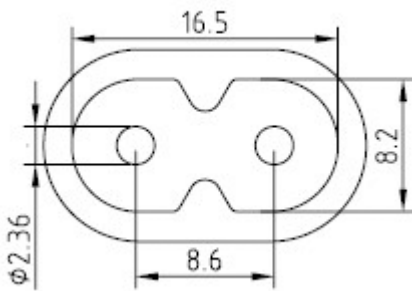
INPUT CONFIGURATION

Grounding Configuration:

Blades/Cord Included: None:

Blades/Cord Installed: None:

IEC 60320/C8 AC Inlet connector, Class II, Non-Earth Ground (aka "Figure-8")



Mates with IEC 60320/C7 Plug

[Standard International IEC 320/C7 Cordsets](#)

Below are standard cordsets which are "not included" (unless stated above); these may be purchased separately or packaged with the power supply. Please contact your Sales Engineer if the style required is not shown below. Many more available in different lengths, colors or cable material.

Conductors (No Ground) IEC 320/C7 (Figure "8")

Part No	Country	End A	End B	Length
4511116F703A(R)	N. American	NEMA 1-15P	IEC 320/C7	1830
5014112M703A(R)	Australian	AS 3112	IEC 320/C7	2000
4533501M8703(R)	China	GB 2099.1	IEC 320/C7	1830
204B4222M703(R)	Brazil	Brazil NBR 6147	IEC 320/C7	2000
2074112M703A(R)	European	CEE 7/16	IEC 320/C7	2000
451J3401M8703(R)	Japan	JIS 8303	IEC 320/C7	1830
2044112M703A(R)	Korea	KS C 8305	IEC 320/C7	2000
4033401M8703A(R)	Taiwan	CNS 10917	IEC 320/C7	1800
6104112M703A(R)	UK	BS1363	IEC 320/C7	2000

GloTek, Inc. www.globtek.com 186 Veterans Drive, Northvale, NJ 07647 Tel. (201) 784-1000 Fax (201) 784-0111	Drawing Title: GT-96180-1856-T2-AP, PoE, Active Power Injector, Efficiency Level: VI, Case Color/Style: GlobTek Black, Wall Plug-in+Desktop Combination, Single Port Power Over Ethernet Midspan (IEEE802.3af PoE PSE), Input Rating: 100-240V~, 50-60 Hz, IEC 60320/C8 , Output Rating: 18W, 56V@0.32A, Output Configuration: N/A mm, N/A/ Cond, N/A, None, Ferrite: None, N/A, GT Cord # C0745, Pin Out: , Blades/Input Cord: (Order Separately), Approvals: CB Patent US9838207B2 EAC WEEE VCCI Ukraine CE RoHS China RoHS Level VI Double Insulation CB PSE ETL S-Mark CB	
	Model No. GT-96180-1856-T2-AP	
	Part No./Ordering No. GT-96180-1856-T2APOE	Rev D

OUTPUT CORD AND CONNECTOR: None/C0745

ACTUAL CONNECTORS, OVERMOLDS, FERRITES MAY VARY SLIGHTLY FROM THE PICTURE BELOW

CABLE TYPE	N/A
CABLE LENGTH (mm)	N/A
CABLE TOLERANCE (mm)	N/A
WIRE GAUGE (AWG)	N/A
CONDUCTORS	
HANK DIMENSION (mm)	N/A
CABLE / CONNECTOR OVERMOLD COLOR	N/A
FERRITE TYPE / DIMENSION	None
FERRITE # OF TURNS (Definition)	N/A
FERRITE DIMENSION FROM STRAIN RELIEF	N/A
FERRITE DIMENSION FROM PLUG	N/A
PLUG TYPE	None
OVER MOLD ORIENTATION	N/A

CONNECTOR PIN OUT:

ADDITIONAL REQUIREMENTS

ADDITIONAL OUTPUT PLUG OPTIONS ARE AVAILABLE AT <http://www.globtek.com/connectors/>

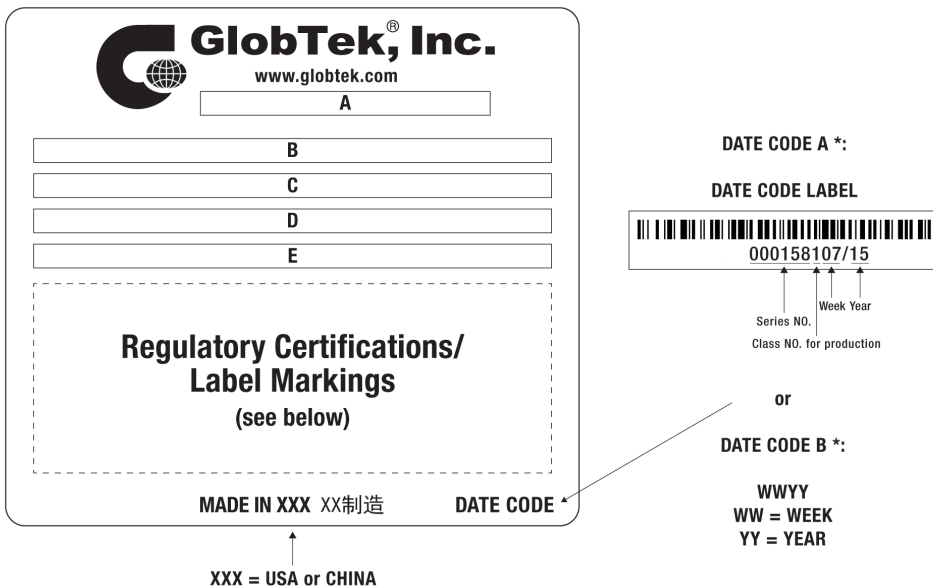
STANDARD PLUGS AND CONNECTORS CAN BE SEEN ONLINE AT <http://www.globtek.com/connectors/>

GlobTek, Inc. www.globtek.com 186 Veterans Drive, Northvale, NJ 07647 Tel. (201) 784-1000 Fax (201) 784-0111	Drawing Title: GT-96180-1856-T2-AP, PoE, Active Power Injector, Efficiency Level: VI, Case Color/Style: GlobTek Black, Wall Plug-in+Desktop Combination, Single Port Power Over Ethernet Midspan (IEEE802.3af PoE PSE), Input Rating: 100-240V~, 50-60 Hz, IEC 60320/C8, Output Rating: 18W, 56V@0.32A, Output Configuration: N/A mm, N/A/ Cond, N/A, None, Ferrite: None, N/A, GT Cord # C0745, Pin Out: , Blades/Input Cord: (Order Separately), Approvals: CB Patent US9838207B2 EAC WEEE VCCI Ukraine CE RoHS China RoHS Level VI Double Insulation CB PSE ETL S-Mark CB	
	Model No. GT-96180-1856-T2-AP	
	Part No./Ordering No. GT-96180-1856-T2APOE	Rev D

LABEL:L-1186

LABEL P/N: Standard GT
MATERIAL: Flat Thermal Transfer, Imprintable, Polyester Label and/or Pad Printed and/or Molded, and/or Laser Engraved in the case
BACKGROUND COLOR: Black if housing is Black, White or Silver if housing is White or Gray.
TEXT COLOR: White or Silver if label is Black Background for Black housing. Black if label is White or Silver background and Housing is White or Gray
LABEL WIDTH (mm): 40.0
LABEL HEIGHT (mm): 80.0

Below is the minimum information which will appear on the label. NOTE: in the logo area additional/actual positioning of symbols and text is subjected to change as per agency updates/requirements or additional model approvals become available.
 Regulatory certifications/label markings may be in logo area on the label or molded into the case housing outside the label area.
 Information will be shown via label and/or pad printed and/or molded and/or laser engraved in the case. * Date code markings at GlobTek option.



A=PoE, Active Power Injector
 B=P/N: (料号) GT-96180-1856-T2APOE
 C=Model (型号) GT-96180-1856-T2-AP
 D=Input (输入) 100-240V~, 50-60 Hz, 0.6A
 E=Output (输出) 56 V $\bar{\bar{=}}$ 0.32 A, 18.0W

- AGENCY ONLINE DOCUMENTS <http://www.globtek.info/certs/GT-96180-POE/>
- CE EC-Declaration for Medical [Contact GlobTek for more information](#)
- CE EC-Declaration for Industrial/Commercial/ITE http://www.globtek.com/pdf/ec_declaration/a00a000000jsNeEAN
- RoHS/RoHS2 Declaration http://www.globtek.com/pdf/rohs_cert/01ta0000007GoxAAAS
- REACH Declaration http://www.globtek.com/pdf/iso_certificates/REACH.pdf

GlobTek, Inc. www.globtek.com 186 Veterans Drive, Northvale, NJ 07647 Tel. (201) 784-1000 Fax (201) 784-0111	Drawing Title: GT-96180-1856-T2-AP, PoE, Active Power Injector, Efficiency Level: VI, Case Color/Style: GlobTek Black, Wall Plug-in+Desktop Combination, Single Port Power Over Ethernet Midspan (IEEE802.3af PoE PSE), Input Rating: 100-240V~, 50-60 Hz, IEC 60320/C8 , Output Rating: 18W, 56V@0.32A, Output Configuration: N/A mm, N/A/ Cond, N/A, None, Ferrite: None, N/A, GT Cord # C0745, Pin Out: , Blades/Input Cord: (Order Separately), Approvals: CB Patent US9838207B2 EAC WEEE VCCI Ukraine CE RoHS China RoHS Level VI Double Insulation CB PSE ETL S-Mark CB	
	Model No. GT-96180-1856-T2-AP	
	Part No./Ordering No. GT-96180-1856-T2APOE	Rev D

Conflict Minerals Declaration

<http://www.globtek.com/pdf/conflict-minerals.pdf>

IPXY rating is based on 3rd party testing and customers should check suitability and test system level IPXY rating before ordering.

Regulatory Certifications/Label Markings

LATEST PRODUCT/MODEL CERTIFICATIONS: <http://en.globtek.com/datasheet/id/a00a000000jSNe>

AGENCY ONLINE DOCUMENTS: <http://www.globtek.info/certs/GT-96180-POE/>

GlobTek, Inc.
 www.globtek.com
 186 Veterans Drive,
 Northvale, NJ 07647
 Tel. (201) 784-1000
 Fax (201) 784-0111

Drawing Title: GT-96180-1856-T2-AP, PoE, Active Power Injector, Efficiency Level: VI, Case Color/Style: GlobTek Black, Wall Plug-in+Desktop Combination, Single Port Power Over Ethernet Midspan (IEEE802.3af PoE PSE), Input Rating: 100-240V~, 50-60 Hz, IEC 60320/C8 , Output Rating: 18W, 56V@0.32A, Output Configuration: N/A mm, N/A/ Cond, N/A, None, Ferrite: None, N/A, GT Cord # C0745, Pin Out: , Blades/Input Cord: (Order Separately), Approvals: CB Patent US9838207B2 EAC WEEE VCCI Ukraine CE RoHS China RoHS Level VI Double Insulation CB PSE ETL S-Mark CB

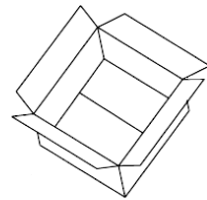
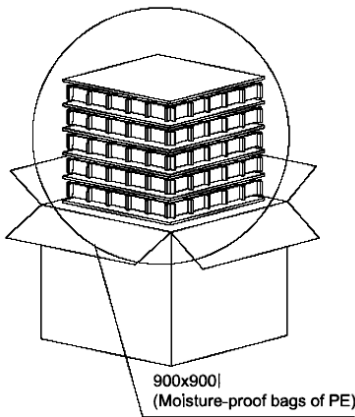
Model No. GT-96180-1856-T2-AP

Part No./Ordering No. GT-96180-1856-T2APOE

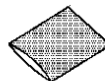
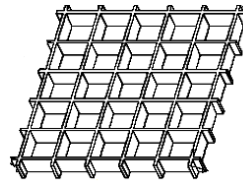
Rev D

PACKAGING

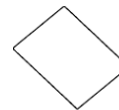
Packing Spec P/N: Standard, Cellular packaging
 Box Qty: 48
 Gift Box Size (mm): Egg Crate
 Gift Box Color: White
 Master Carton Size (mm): 410x450x195
 Master GW (Kg): kg
 BLADES INCLUDED: None:
 BLADE/CORD INSTALLED: None:



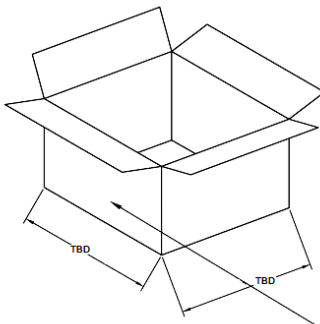
OUTSIDE CARTON



PE BAG



PARTITION





CHINA MANUFACTURING
 MADE IN CHINA

GLOBTEK L/R #
 GLOBTEK PART #
 Quantity/Carton:
 Carton # of #

GloTek, Inc. www.globtek.com 186 Veterans Drive, Northvale, NJ 07647 Tel. (201) 784-1000 Fax (201) 784-0111	Drawing Title: GT-96180-1856-T2-AP, PoE, Active Power Injector, Efficiency Level: VI, Case Color/Style: GlobTek Black, Wall Plug-in+Desktop Combination, Single Port Power Over Ethernet Midspan (IEEE802.3af PoE PSE), Input Rating: 100-240V~, 50-60 Hz, IEC 60320/C8 , Output Rating: 18W, 56V@0.32A, Output Configuration: N/A mm, N/A/ Cond, N/A, None, Ferrite: None, N/A, GT Cord # C0745, Pin Out: , Blades/Input Cord: (Order Separately), Approvals: CB Patent US9838207B2 EAC WEEE VCCI Ukraine CE RoHS China RoHS Level VI Double Insulation CB PSE ETL S-Mark CB	
	Model No. GT-96180-1856-T2-AP	
	Part No./Ordering No. GT-96180-1856-T2APOE	Rev D

INSTRUCTION SHEET

N/A