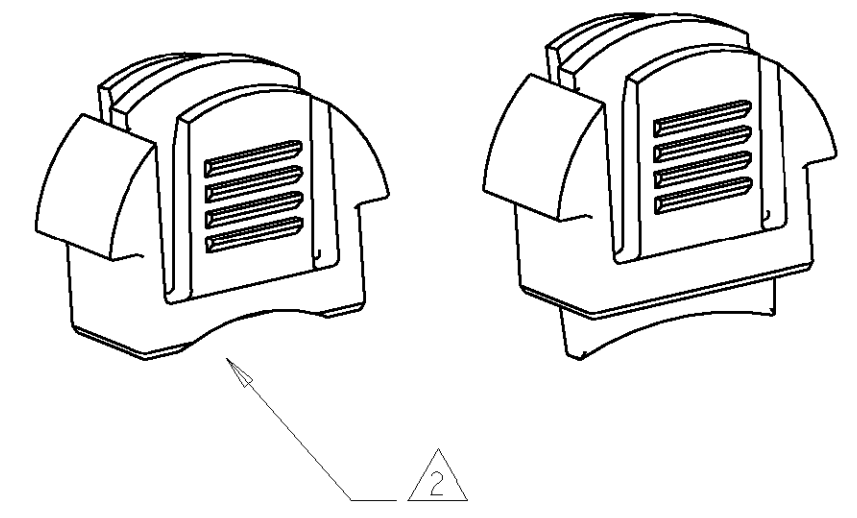
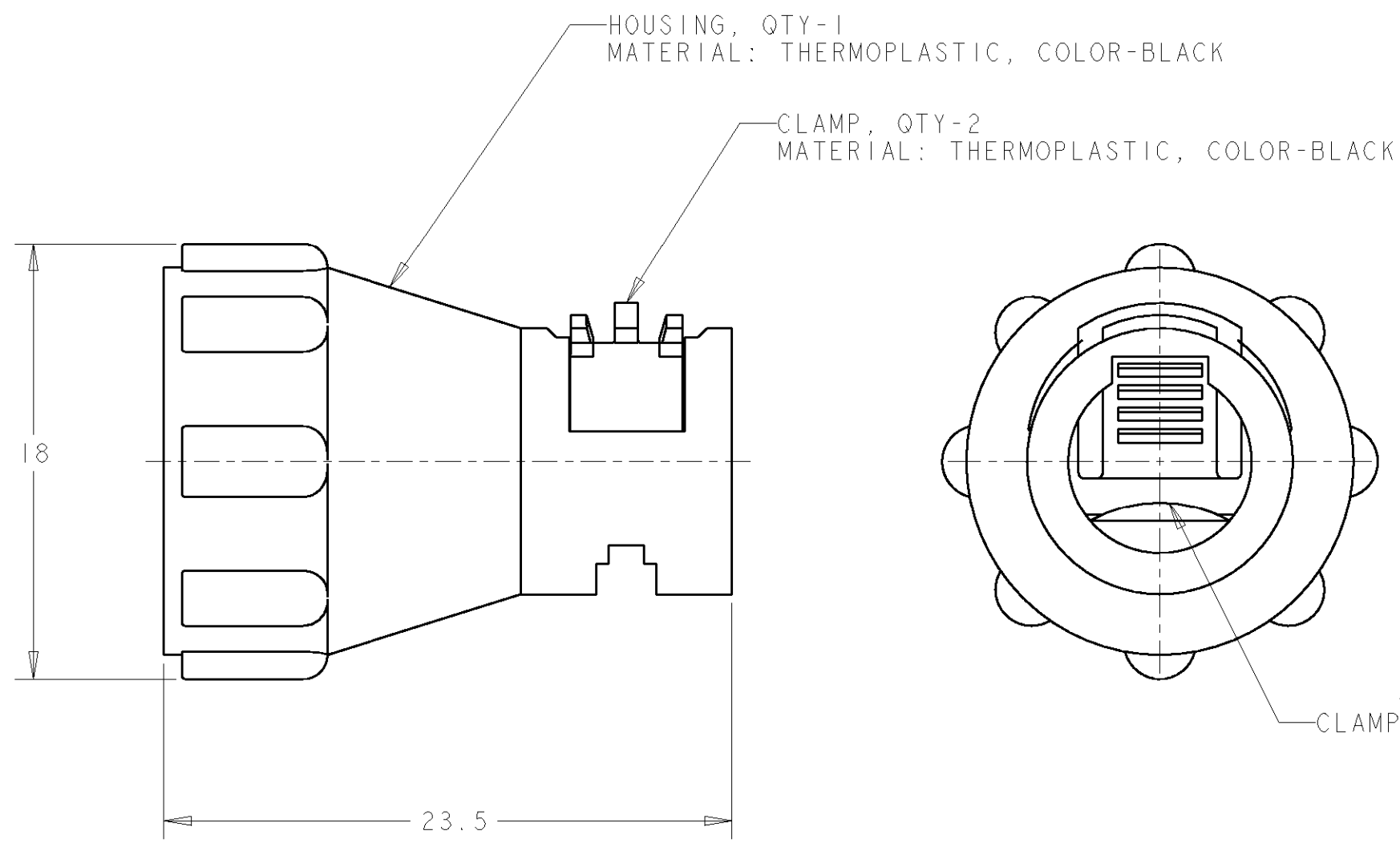


THIS DRAWING IS UNPUBLISHED. RELEASED FOR PUBLICATION 20  
 © COPYRIGHT 20 BY TYCO ELECTRONICS CORPORATION. ALL RIGHTS RESERVED.

LOC	DIST	REVISIONS			
P	LTR	DESCRIPTION	DATE	DWN	APVD
FT	0	A	RELEASED EC 0G3B-0568-03	11JUL2003	SW HW



- 1. PARTS PACKAGED UNASSEMBLED.
- 2 CABLE CLAMPING AREA ADJUSTABLE FROM 0.76mm<sup>2</sup> TO 15.8mm<sup>2</sup>.
- 3. 4.4 MAXIMUM CABLE OUTSIDE DIAMETER.

BULK	1445760-02
INDIVIDUAL	1445730-01
PACKAGING	PART NUMBER

<small>THIS DRAWING IS A CONTROLLED DOCUMENT FOR TYCO ELECTRONICS CORPORATION IT IS SUBJECT TO CHANGE AND THE CONTROLLING ENGINEERING ORGANIZATION SHOULD BE CONTACTED FOR THE LATEST REVISION.</small>		DWN 02AUG2001 SHANE WIEST CHR 02AUG2001 G DOUTY APVD 11JUL2003 H WAKFEM		Tyco Electronics Harrisburg, PA 17105-3608	
DIMENSIONS: mm 		TOLERANCES UNLESS OTHERWISE SPECIFIED: 0 PLC ±- 1 PLC ±- 2 PLC ±0.13 3 PLC ±- 4 PLC ±- ANGLES ±-		NAME ASSEMBLY, STRAIN RELIEF, VERTICAL SIZE 8, MINI CPC	
MATERIAL - SEE CALLOUT		FINISH - CUSTOMER DRAWING		PRODUCT SPEC - APPLICATION SPEC - WEIGHT - SIZE A3 CAGE CODE 00779 DRAWING NO C-1445730 RESTRICTED TO -	
SCALE 4:1 SHEET 1 OF 1 REV A				SHEET 1 OF 1 REV A	