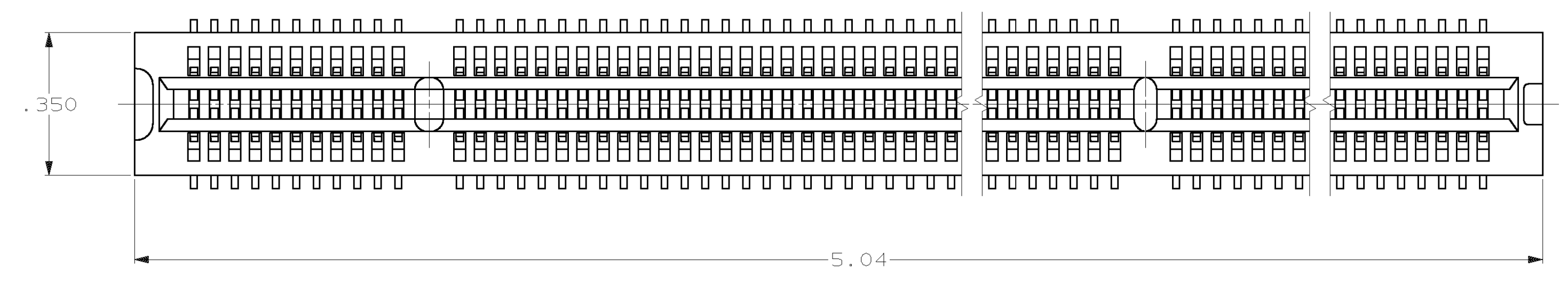
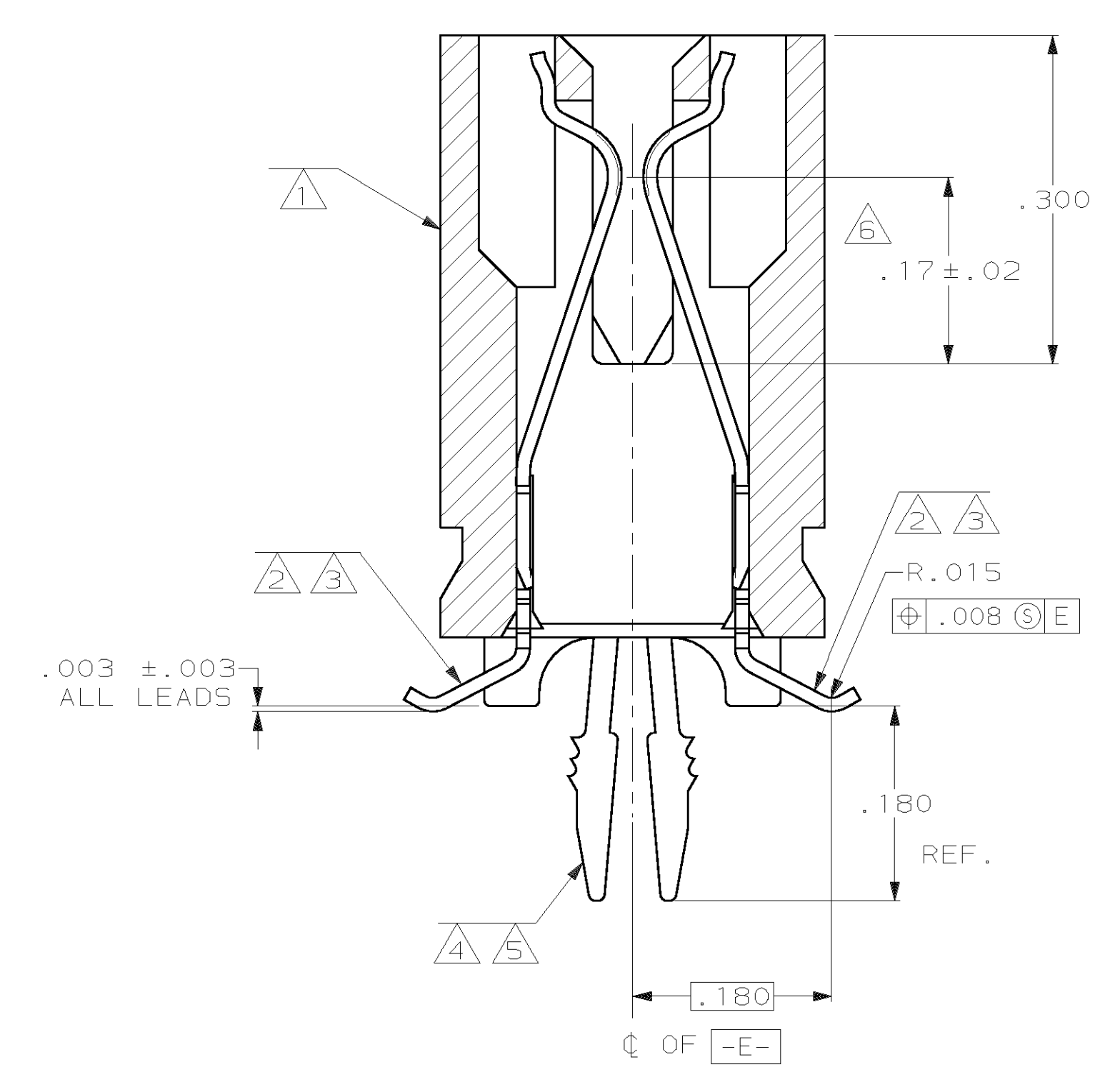
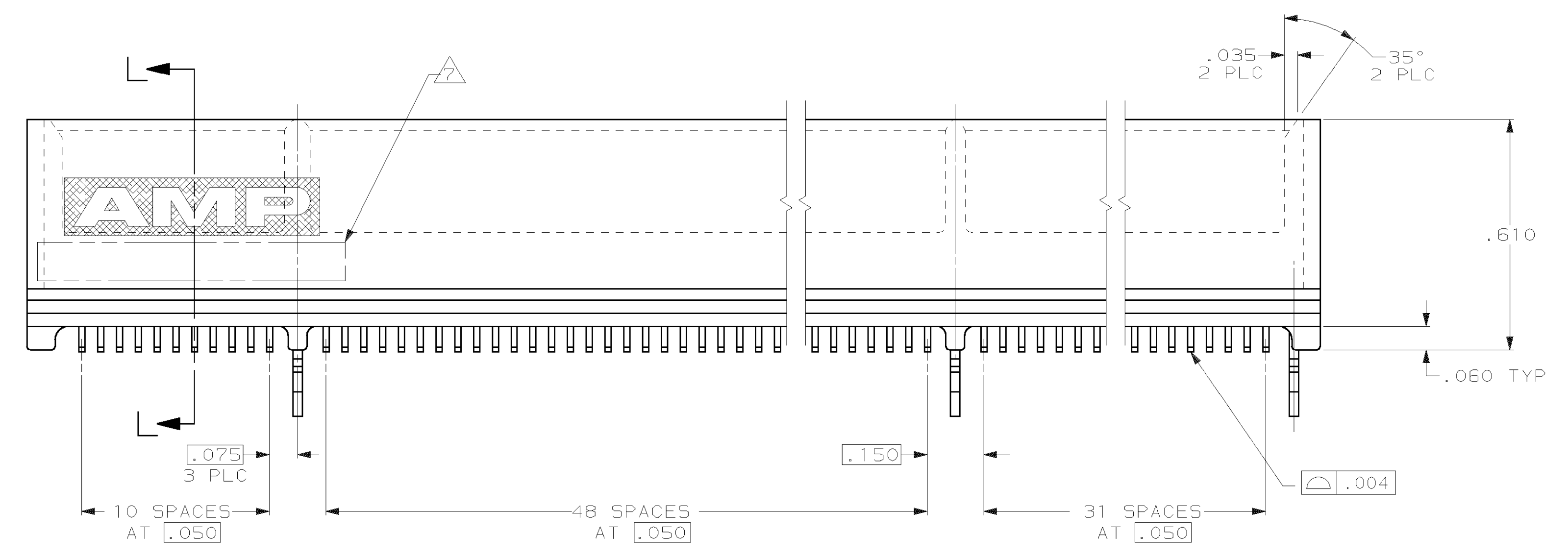


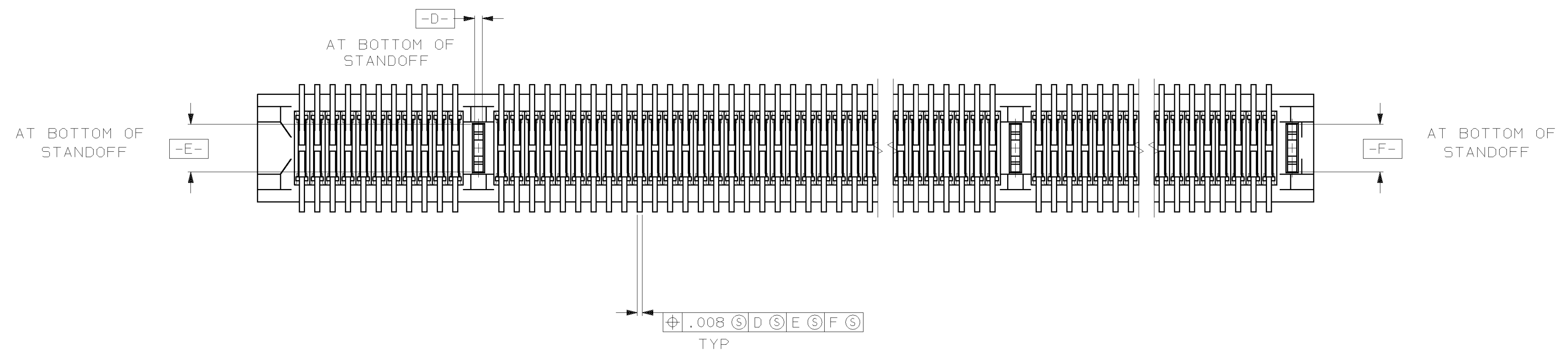
LOC		DIST		P		ZONE		LTR		REVISIONS		
AD	14									DESCRIPTION	DATE	APPD
										B REVISED PER 0651-0071-99	07APR99	RB KW
										C REV PER 051B-0139-00	07/10/00	MM PD



- ① HOUSING: HIGH TEMPERATURE THERMOPLASTIC.
- ② CONTACT: PHOSPHOR BRONZE.
- ③ CONTACT FINISH: .000100 MIN NICKEL ALL OVER, .000030 MIN GOLD OVER NICKEL IN CONTACT AREA, .000100 MIN TIN-LEAD OVER NICKEL ON SOLDER TAILS.
- ④ METAL HOLD DOWN: BRASS
- ⑤ METAL HOLD DOWN FINISH: .000050 MIN NICKEL ALL OVER, .000150 MIN TIN-LEAD ALL OVER.
- ⑥ DISTANCE FROM CONTACT POINT TO BOTTOM OF CARD SLOT.
- ⑦ AMP PART NUMBER, DATE CODE AND CSA LOGO MARKED IN APPROXIMATE AREA SHOWN.



SECTION L-L  
SCALE 8:1

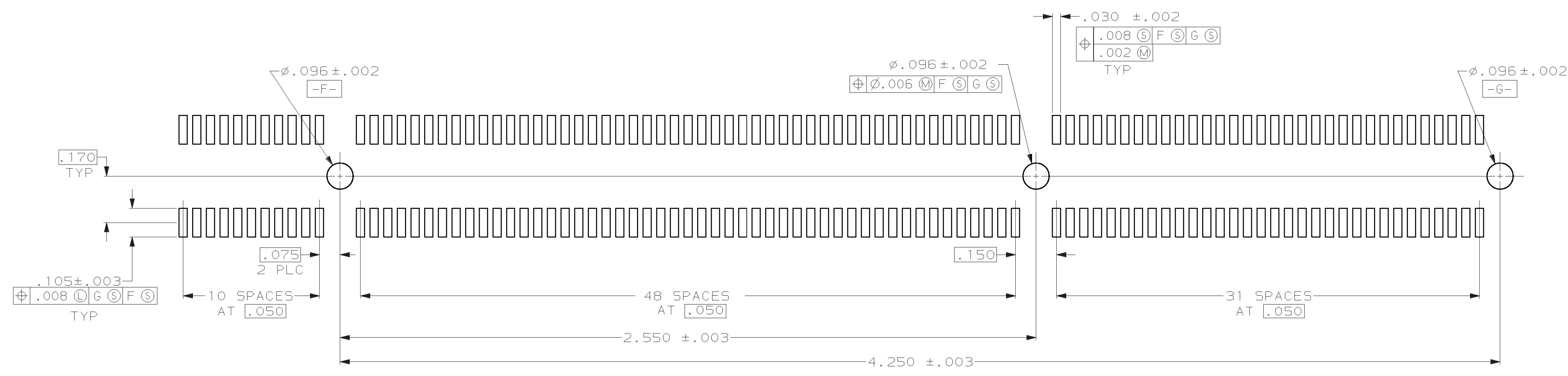


145246-1 AS SHOWN

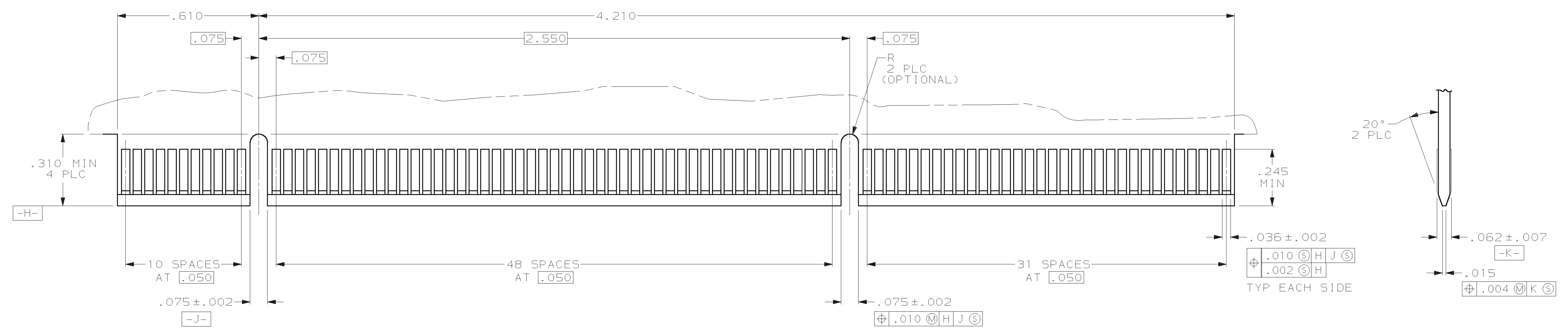
DO NOT SCALE PRINT. UNLESS SPECIFIED DIMENSIONS IN mm [INCHES] TOLERANCES ON: 2 PLC DEC ± .01 3 PLC DEC ± .005 ANGLES ± 2°		DR 2/29/95 R BROWN		PART NO	
MATERIAL		CHK 2/29/95 M BOWERS		AMP Incorporated Harrisburg, PA 17105-3608	
FINISH		APPD 2/29/95 M BOWERS			
① ② ④ ③ ⑤		APPD 2/29/95 D SARVER		NAME	
APPLICATION SPEC		PRODUCT SPEC		CONNECTOR ASSEMBLY, 92 DUAL POSITION, .050 SERIES, STANDARD EDGE SURFACE MOUNT	
WEIGHT		SCALE 4:1		SIZE	
				CAGE CODE	
				DRAWING NO	
				00779 C-145246	
				SHEET	
				1 OF 2	

THIS DRAWING IS A CONTROLLED DOCUMENT FOR AMP INCORPORATED. IT IS SUBJECT TO CHANGE AND THE CONTROLLING ENGINEERING ORGANIZATION SHOULD BE CONTACTED FOR THE LATEST REVISION.

LOC		DIST		P		ZONE		LTR		REVISIONS		DATE	APPD
AD	14									DESCRIPTION			
										SEE SHEET 1			



RECOMMENDED CONNECTOR MOUNTING HOLE PATTERN  
 (CONNECTOR SIDE SHOWN)



RECOMMENDED MATING BOARD EDGE CONFIGURATION

DO NOT SCALE PRINT. UNLESS SPECIFIED DIMENSIONS IN mm [INCHES] TOLERANCES ON: 2 PLC DEC ± .01 3 PLC DEC ± .005 ANGLES ± 2°	DR 2/29/96 R BROWN	AMP Incorporated Harrisburg, PA 17105-3508
	CHK 2/29/96 M BOWERS	
MATERIAL	APPD 2/29/96 M BOWERS	NAME
SEE SHEET 1	APPD 2/29/96 D SARVER	CONNECTOR ASSEMBLY, 92 DUAL POSITION, .050 SERIES, STANDARD EDGE SURFACE MOUNT
FINISH	PRODUCT SPEC 108-14034	SIZE
SEE SHEET 1	APPLICATION SPEC 114-26012	D 00779
	WEIGHT	CAGE CODE
		00779
		DRAWING NO
		145246
		SCALE
		4:1
		SHEET
		2 OF 2