

PRODUCT NUMBER
98424-X52-XX-XXXLF

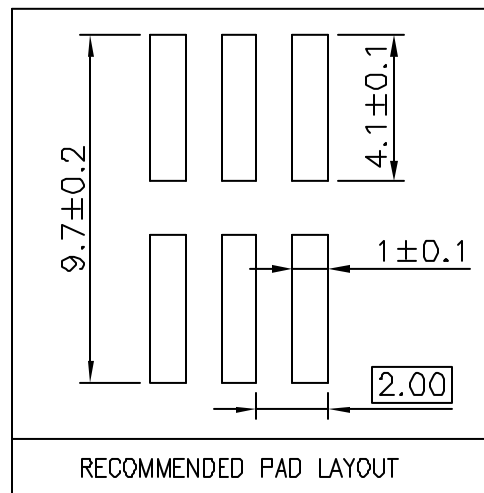
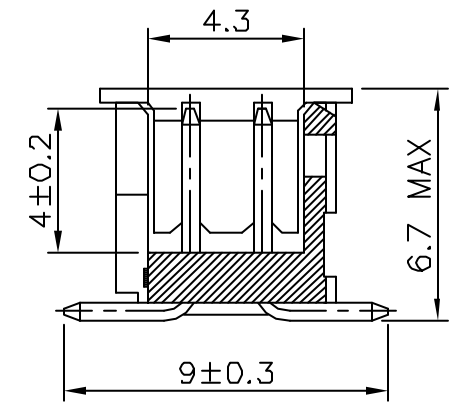
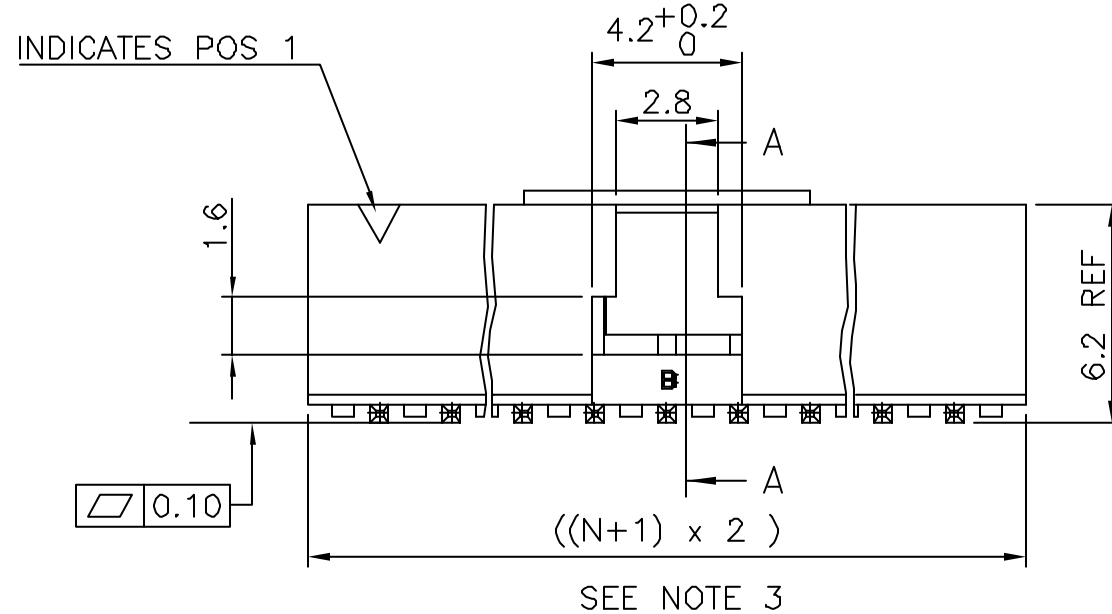
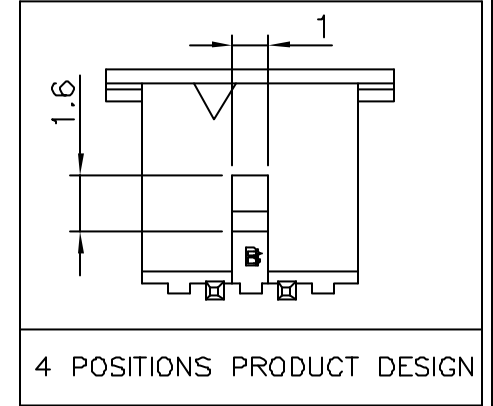
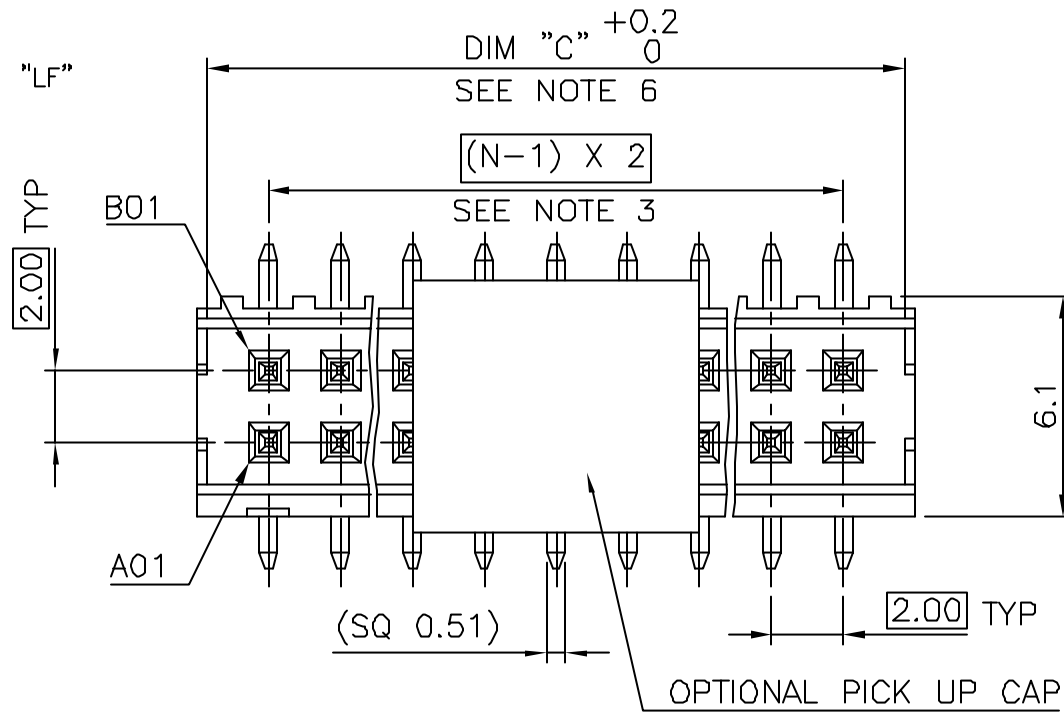
PLATING
S = 0.38µm GOLD/GXT ON CONTACT AREA
3.81µm TIN LEAD ON TAIL
G = 0.76µm GOLD/GXT ON CONTACT AREA
3.81µm TIN LEAD ON TAIL.
F = GOLD FASH ON CONTACT AREA
3.81µm TIN LEAD ON TAIL.

WHEN REQUIRED, ADD SUFFIX LETTER "LF" INDICATES THE PRODUCT IS RoHS COMPATIBLE, SEE NOTE 8

POLARIZATION (SEE NOTE 7)
PACKAGING OPTIONAL LETTER (SEE NOTE 5)
TOTAL NB OF POSITIONS, 04 TO 50

NOTES:

- MATERIAL HOUSING: HIGH TEMP. THERMOPLASTIC
UL 94V-0, COLOR CREAM
- MATERIAL TERMINAL: COPPER ALLOY
- TO DETERMINE DIMENSIONS:
N = NUMBER OF POSITIONS PER ROW
- 7N MIN. PIN RETENTION IN EITHER DIRECTION.
- PACKAGING:
= PLASTIC BOX
- = PLASTIC BOX WHEN POLARISATION FEATURE APPLICABLE
U = TUBE AVAILABLE FROM 08 TO 50 POS
A = TAPE AND REEL WITH PICK UP CAP INSTALLED
IN THE CENTER OF THE PRODUCT FOR PICK AND PLACE
SEE TA 884 FOR PRODUCT AVAILABILITY.
K = TAPE AND REEL WITHOUT PICK UP CAP
FOR ALL SPECIAL PACKAGING, FCI MUST BE CONTACTED
FOR AVAILABILITY IN SIZE REQUESTED
- DIM "C" = (N x 2) + 1.4
EXAMPLE: N = 7
DIM "C" = (7 x 2) + 1.4 = 15.4 mm
- FOR POLARIZATION, SPECIFIED PIN
EXAMPLE : A03 = ROW A, POSITION 03 TO OMIT PIN
OMIT FROM PRODUCT NUMBER IF THIS FEATURE IS NOT APPLICABLE
- RoHS COMPATIBLE PRODUCT SPECIFICATIONS
 - PLATING:
- "LF" MEANS THE PRODUCT IS LEAD-FREE,
2µm MINIMUM MATTE TIN OVER 1.27µm
MINIMUM NICKEL UNDERPLATE.
 - MANUFACTURING PROCESS COMPATIBILITY
- THE HOUSING WILL WITHSTAND EXPOSURE TO
260°C PEAK TEMPERATURE FOR 30 SECONDES
MAX IN A CONVECTION, INFRA-RED OR VAPOR
PHASE DR REFLOW OVEN.
 - LABELLING:
- MEETS PACKAGING SPECS AS PER GS-14-920
 - THIS PRODUCT MEETS EUROPEAN DIRECTIVES
AND OTHER COUNTRY REGULATIONS AS DISCRIBED
IN GS-22-008.



mat'l. code				surface	tolerance	projection	product family		
SEE NOTES				ISO 1302 ✓	ISO 406 ISO	101	MINITEK		
ltr	ecn	na	dr	date	tolerances unless otherwise specified	mm	title		
F	03	0420	LMU	04.01.20	angles	X.X ±0.3	SHR HEADER		
G	04	0351	JCO	05.01.13	Linear	X.XX ±0.13	2.00 VERTICAL SMT		
H	05	0124	LMU	05.02.07		X.XXX ±0.05	scale 1:1		
J	06	0210	LMU	06.07.05	dr	L.MULIN	04.09.27		
K	06	0259	LMU	06.08.28	engr	J.COMPAGNON	04.09.27		
L	08	0113	LMU	08.01.17	chr				
M	08	0145	ELA	17.04.08	appd	JMC	04.09.27		
sheet	revision	M	A						
index	sheet	1	2						
FCI							dwg no	sheet 1 of 2	size
							98424		A3
							type	CUSTOMER Drawing	



Copyright FCI

1

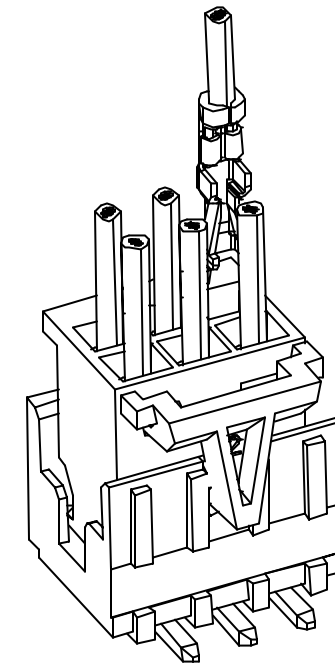
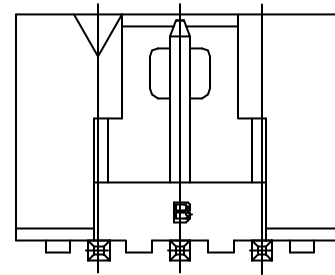
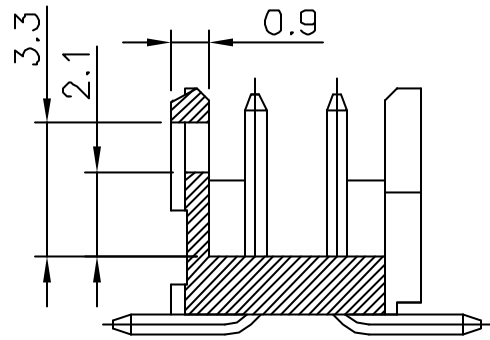
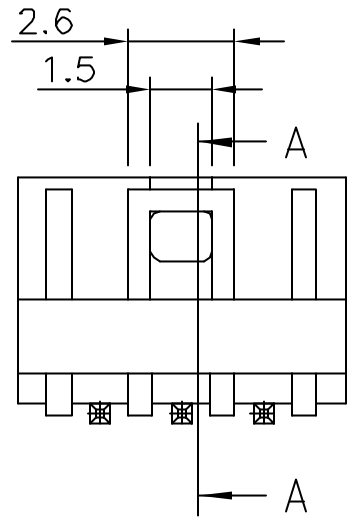
2 3

4

5

6

2x3 POS AND 2x4 POS CONFIGURATION
NO LATCHING AVAILABLE FOR 2x2 POS

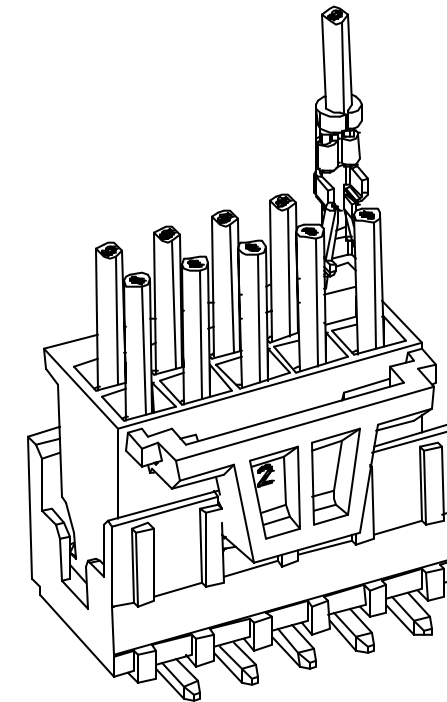
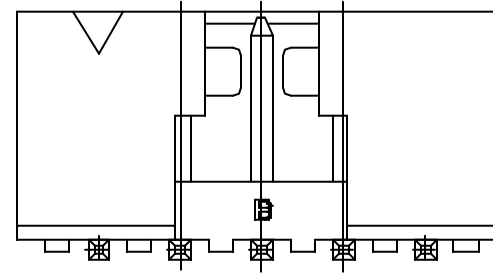
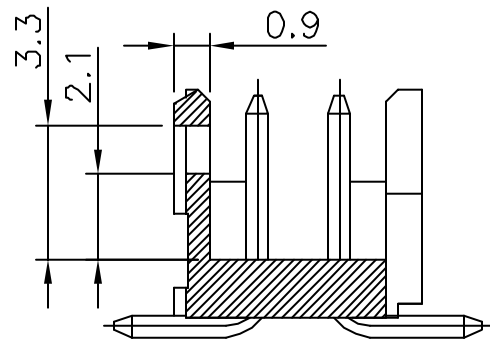
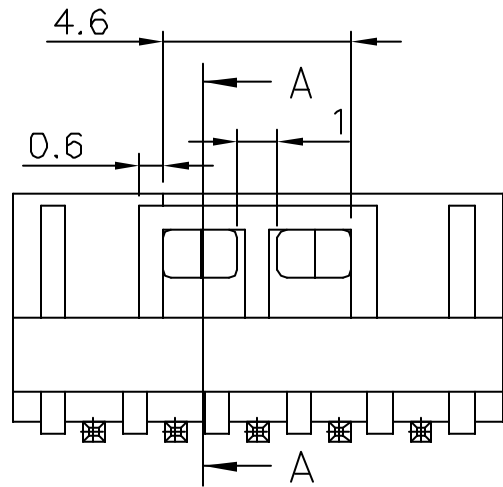


A

A

B

B



C

C

2x5 POS UP TO 2x25 POS CONFIGURATION

LATCHING FEATURES WHEN USED IN COMBINATION
WITH ACTIVE LATCH HOUSING 10073599

mat'l. code SEE NOTES				surface ISO 1302 ✓	tolerance ISO 406 ISO 101	projection mm	product family MINITEK		
ltr	ecn no	dr	date	tolerances unless otherwise specified		 mm scale 1:1	title SHR HEADER 2.00 VERTICAL SMT		
A	08-0113	LMU	08.01.17	angles	X.X ±0.3			dwg no	sheet 2 of -
				Linear	X.XX ±0.13			98424	A3
					X.XXX ±0.05		type CUSTOMER Drawing		
sheet index	revision sheet			dr	L.MULIN	07.11.06			
				engr	J.COMPAGNON	07.11.06			
				chr					
				appd	JM.C	07.11.06			

FCJ
FCJconnect.com

Copyright FCJ

1

2

3

4

5

6