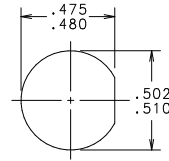
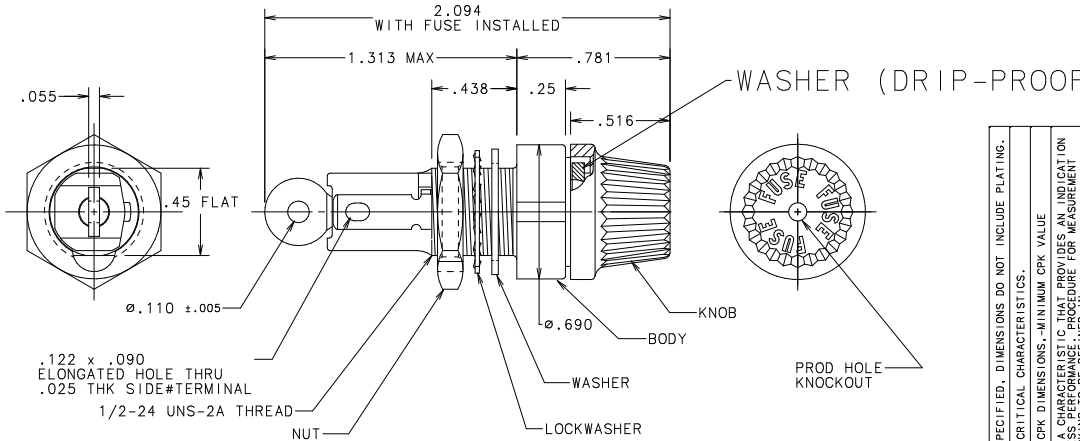


COMPONENT	MATERIAL
KNOB & BODY	GRAY, DIALLYL PHTHALATE, MIL-M-14F, TYPE: SDG-F
SIDE TERMINAL	BRASS - BRIGHT SILVER (NOTE 3)
BOTTOM TERMINAL	BRASS - BRIGHT SILVER (NOTE 3)
KNOB INSERT	BRASS - SILVER
CONTACT CLIP	BeCu - SILVER
SPRING	BeCu ALLOY - SILVER
WHEN REQUIRED	
KNOB WASHER (DRIP-PROOF)	RUBBER
NUT	STEEL - ZINC PLATE WITH YELLOW CHROMATE
WASHER	SILICONE-ORANGE/RED
LOCKWASHER	STEEL - ZINC PLATE WITH SUPPLEMENTARY CHROMATE TREATMENT PER QQ-Z-325, CLASS 2, TYPE 2.



MOUNTING HOLE



NO	COMPONENT NO	DESCRIPTION	QTY/M	U/M	BILL OF MATERIAL	
					MAT SPEC	FINISH
		DATE	SCALE	LBS/M		
		6/22/88	2=1			
		DATE	SUPER DRW			
		DATE	RAW STK WT			
		DATE				
		TOLERANCE UNLESS OTHERWISE SPECIFIED				
		TWO PLACE DEC ±.01 FRACTION ±				
		THREE PLACE DEC ±.005 ANGULAR ±1°				
		TITLE				
		3AG MINIATURE FUSEHOLDER				
		REVISED		DRAWN		
		W		MA		
				0342024		
				OUTLINE		

LTR	REVISION	CHK	APD
V	39233C- REVISED & REDRAWN ON NEW FORMAT 6/22/98 JMB		
W	3954D-DRIP- PROOF RUBBER TO SILICONE ORANGE/RED 12/09/98 PJM		

UNLESS OTHERWISE SPECIFIED, DIMENSIONS DO NOT INCLUDE PLATING.  
 DENOTES CRITICAL CHARACTERISTICS.  
 DENOTES CPK DIMENSIONS - MINIMUM CPK VALUE  
 DENOTES A CHARACTERISTIC THAT PROVIDES AN INDICATION OF THE PROCESSING TO BE USED IN THE INSPECTION PROCEDURE FOR MEASUREMENT OF THIS CHARACTERISTIC.  
 DENOTES CP DIMENSIONS - MINIMUM CP VALUE  
 DIMENSIONS WITHIN THE DIMENSIONAL LIMITATIONS SHALL BE WITHIN THE DIMENSIONAL LIMITATIONS FOR MAXIMUM TOOL LIFE.

- NOTES:  
 1. GOVERNMENT DESIGNATION: MIL-F-19207/16B, STYLE FHN 26G2.  
 2. "UL" & "CSA" RECOGNIZED UNDER THE COMPONENT PROGRAM.  
 3. WHEN SOLDER DIPPED PER MIL SPEC'S, TOLERANCE COVERING HOLE DIMENSIONS IS ±.020.  
 4. a) 0342024 CONSISTS OF BODY AND DRIP-PROOF KNOB ASSEMBLED, WASHER, NUT AND LOCKWASHER UNASSEMBLED.  
 b) 0342024A CONSISTS OF BODY AND DRIP-PROOF KNOB ASSEMBLED, WASHER, NUT AND LOCKWASHER ASSEMBLED TO THE BODY.

