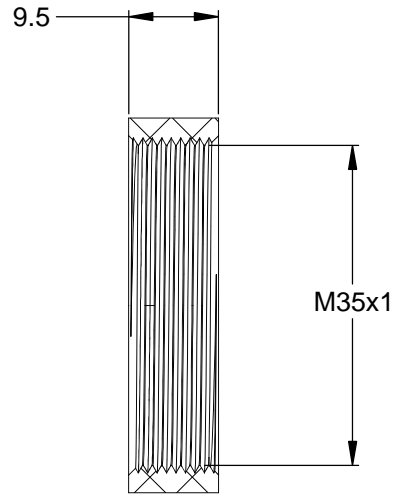
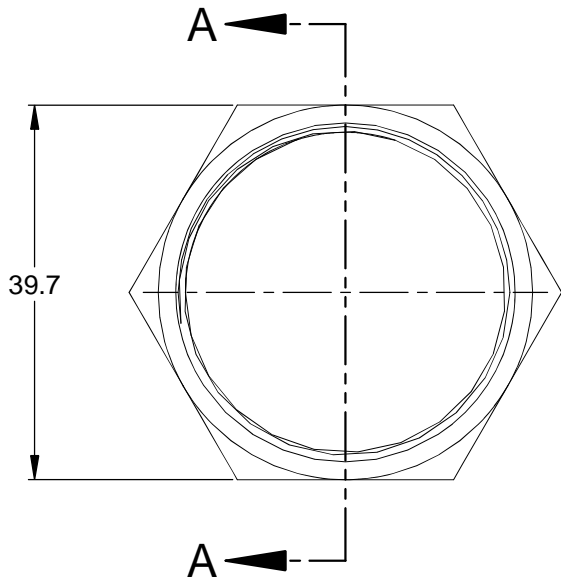
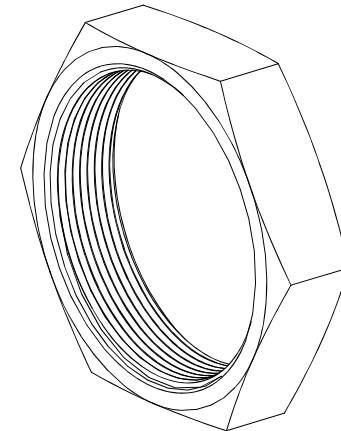


REVISIONS					
REV	ECO	DESCRIPTION	DATE	BY	APPR
A3		RELEASE NEW DWG FORMAT	24JUL13	DRP	



SECTION A-A



AHD17-PN01												
PART NUMBER		DESCRIPTION		ITEM								
QUANTITY	MATERIALS LIST											
<small>UNLESS OTHERWISE SPECIFIED</small> 1) All dimensions are in metric(mm). 2) Tolerances are as follows: 1 PL DEC ±0.30 2 PL DEC ±0.15 3 PL DEC ±0.08 Fractions ±1/64 Angles ±1° 3) Note reference =	SIGNATURES		DATE									
	DRAWN: D.PARKS		24JUL13									
MATERIAL SPECIFICATIONS:		CHECKED:		<h1>Amphenol</h1> Sine Systems - www.amphenol-sine.com 44724 Morley Drive Clinton Township, MI 48036  <b>NUT, AHD SERIES, 35mm</b>								
PROCESS SPECIFICATIONS:		ENGINEER:										
NEXT ASSY: AHD17-9-1339PES		APPROVAL:										
		CUSTOMER:										
		<small>THIS DRAWING IS SUPPLIED FOR INFORMATION ONLY. DESIGN FEATURES, SPECIFICATIONS AND PERFORMANCE DATA SHOWN HEREON ARE THE PROPERTY OF THE AMPHENOL CORPORATION. NO RIGHTS OF REPRODUCTION ARE IMPLIED. ALL DIMENSIONS ARE SUBJECT TO NORMAL MANUFACTURING VARIATIONS.</small>		<table border="1"> <tr> <td>SIZE</td> <td>TYPE</td> <td>DWG NO:</td> <td>REVISION</td> </tr> <tr> <td><b>A</b></td> <td><b>C-</b></td> <td><b>AHD17-PN01</b></td> <td><b>A3</b></td> </tr> </table>	SIZE	TYPE	DWG NO:	REVISION	<b>A</b>	<b>C-</b>	<b>AHD17-PN01</b>	<b>A3</b>
SIZE	TYPE	DWG NO:	REVISION									
<b>A</b>	<b>C-</b>	<b>AHD17-PN01</b>	<b>A3</b>									
		SCALE: NONE		SHEET 1 OF 1								

NOTES: UNLESS OTHERWISE SPECIFIED

1. MATERIAL: THERMOPLASTIC; COLOR: BLACK
2. RoHS COMPLIANT
3. ALL DIMENSIONS ARE FOR REFERENCE USE ONLY.