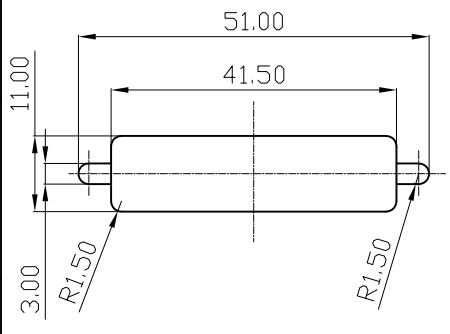
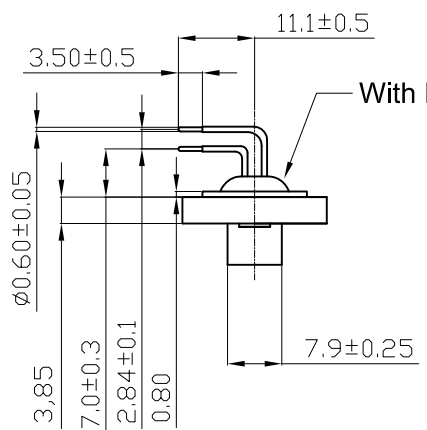


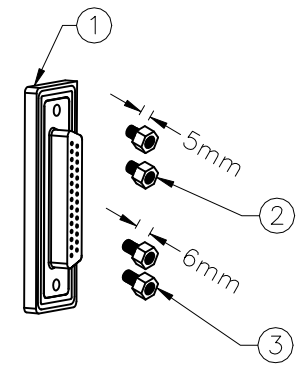
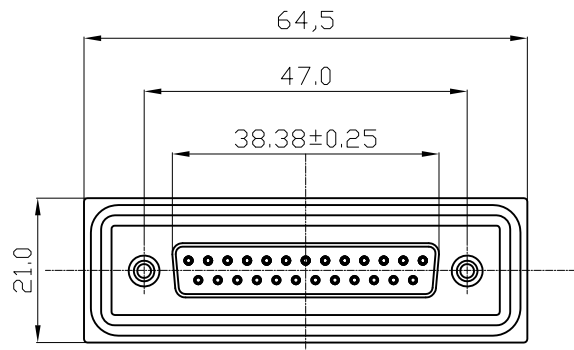
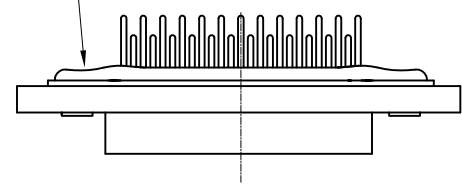
Panel Thickness  
Screw L=5.0 For Panel Thickness Under 1.2mm  
Screw L=6.0 For Panel Thickness Between 1.2-2.0mm



Recommended Panel Cut-Out



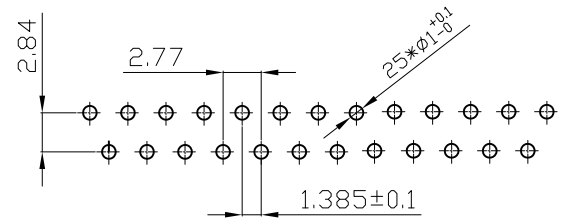
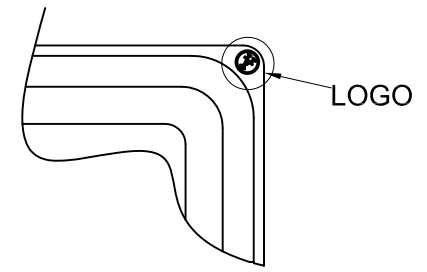
With Liquid Glue



**NOTES:**

**MATERIAL**

1. Insulator Material: Black, NYLON+G/F
2. Contact Material : Copper Alloy
3. Plating : Gold Plating
4. Waterproof Rate: IP67
5. Do Mating Test After Glued
6. LOGO



25 Pin Female Connector PCB Pin Layout Scale 2:1

**RoHS compliant**

Scale	1:1						Date	Name	Customer-No.
TOLERANCE						Drawn	24.12.2008	JACK	
X.X	±0.25					Approved	24.12.2008	Hellwig	ASSMANN WSW-No.
X.XX	±0.10								<b>A-DF 25 AA-WP</b>
X.XXX	±0.05								Drawing-No.
DIM	TOL							<b>ASS 3264 CO</b> rev01	
ANGLE	±1°								
X.X°	±X°	①	Drawn	24.12.2008	JACK				
Angle	TOL	Id.	Modification	Date	Name	Replace		Sheet	

**ASS 3264 CO** rev01

