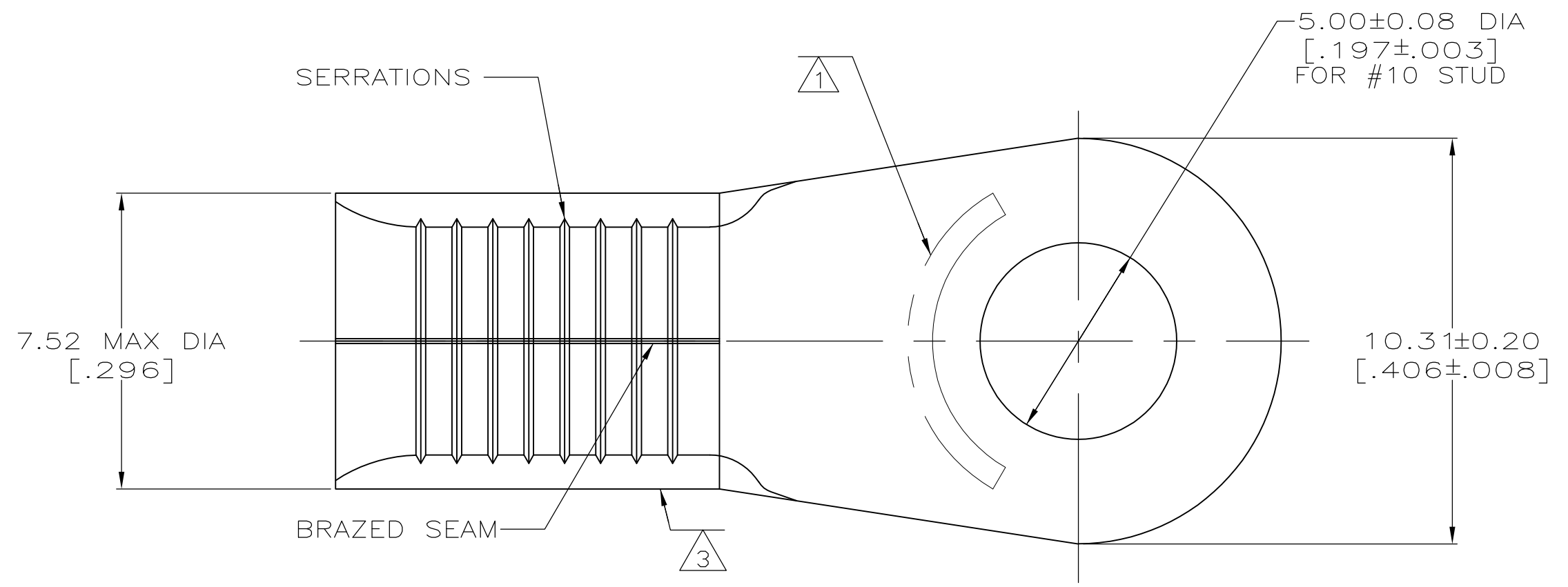


THIS DRAWING IS UNPUBLISHED. RELEASED FOR PUBLICATION
 © COPYRIGHT - By - ALL RIGHTS RESERVED.

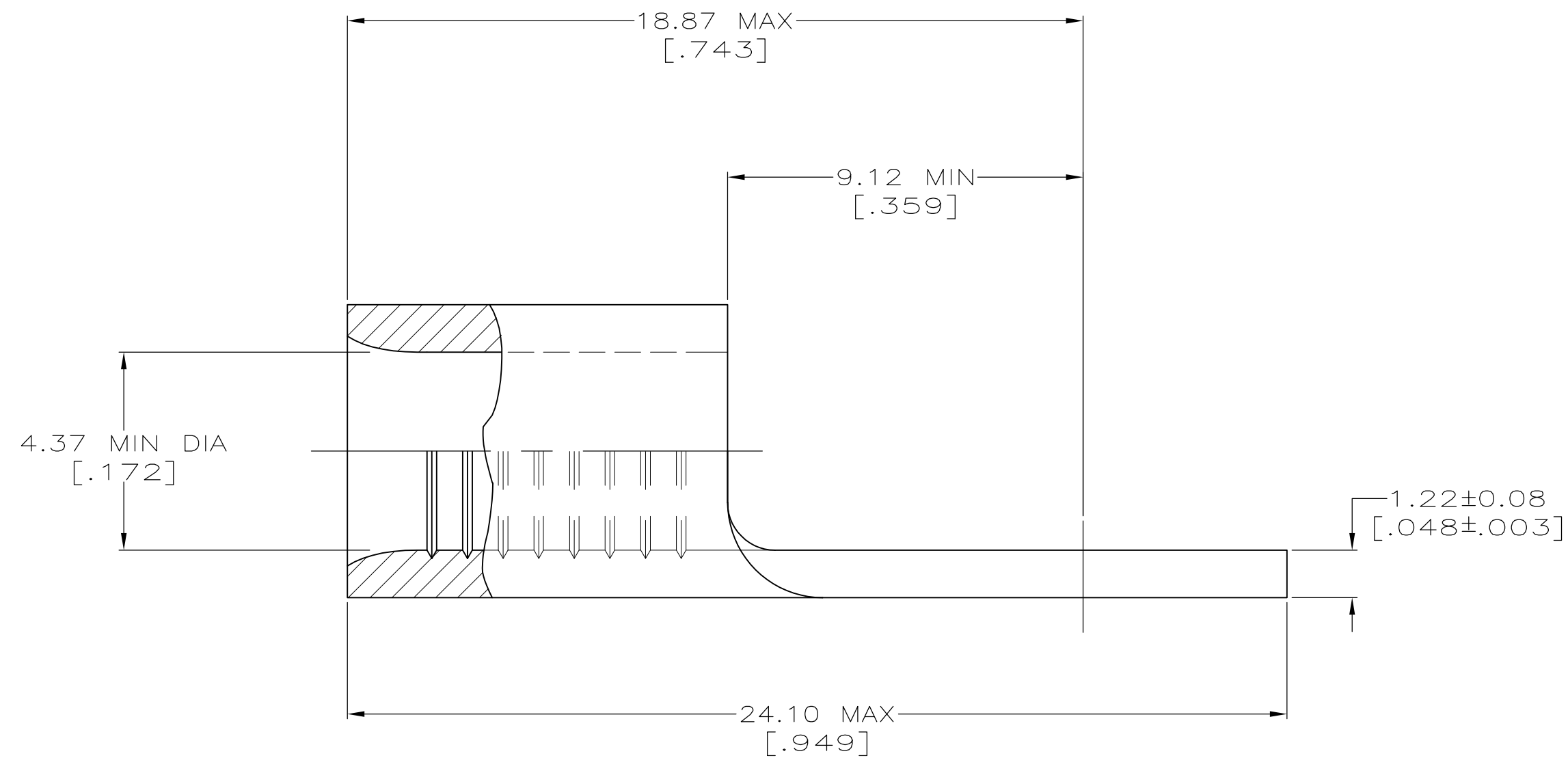
LOC	DIST	REVISIONS			
P	LTR	DESCRIPTION	DATE	OWN	APVD
G	14	C3	REVISED PER ECO-12-005490	21MAR12	KH DR



AMP
 WIRE RANGE

8 AWG
 SOLID OR STRANDED

- 1 STAMP AMP 8 APPROX AS SHOWN
- 2 NICKEL PER ASTM B-162, ANNEALED
- 3 WIRE BARREL COLOR CODED ORANGE TO DENOTE NICKEL MATERIAL



328822
 PART NO.

MAX RECOMMENDED OPERATING TEMPERATURE: 649°C MAX VOLTAGE RATING: N/A CIRCULAR MIL AREA: 6.64-10.5mm ² [13,100-20,800] SOLID OR STRANDED	THIS DRAWING IS A CONTROLLED DOCUMENT.		DWN TA BRINKMAN 3-24-93 CHK DA PATTERSON 3-24-93 APVD JL MECKLEY 3-24-93	STE TE Connectivity NAME TERMINAL, RING TONGUE, HIGH TEMPERATURE, STRATO-THERM	SIZE CAGE CODE DRAWING NO RESTRICTED TO A2 00779 G-328822 -
	DIMENSIONS: mm[INCHES]	TOLERANCES UNLESS OTHERWISE SPECIFIED: 0 PLC ± - 1 PLC ± - 2 PLC ± - 3 PLC ± - 4 PLC ± - ANGLES ± ± - FINISH -	PRODUCT SPEC - APPLICATION SPEC - WEIGHT -		
		MATERIAL 2	CUSTOMER DRAWING	SCALE 8:1	SHEET 1 OF 1 REV C3