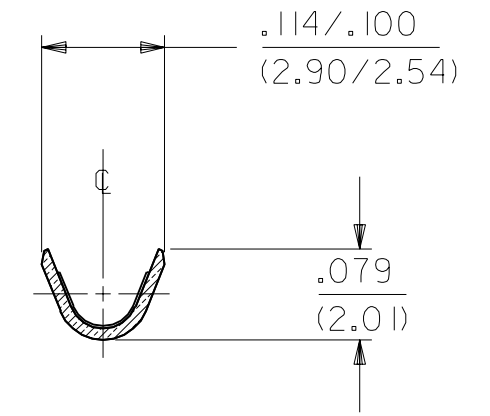
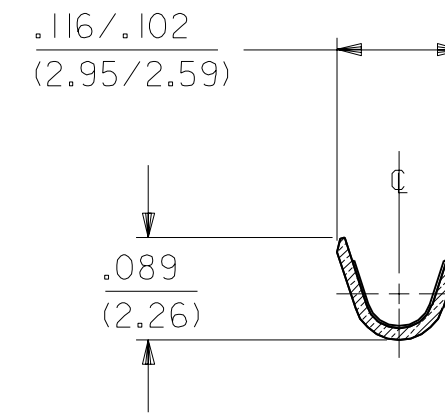
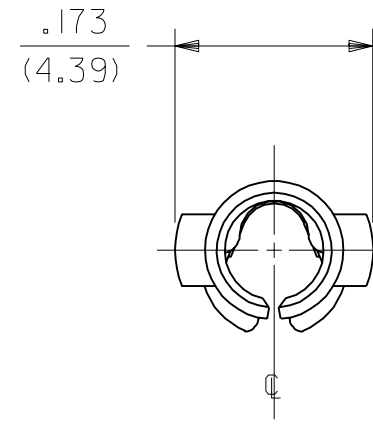
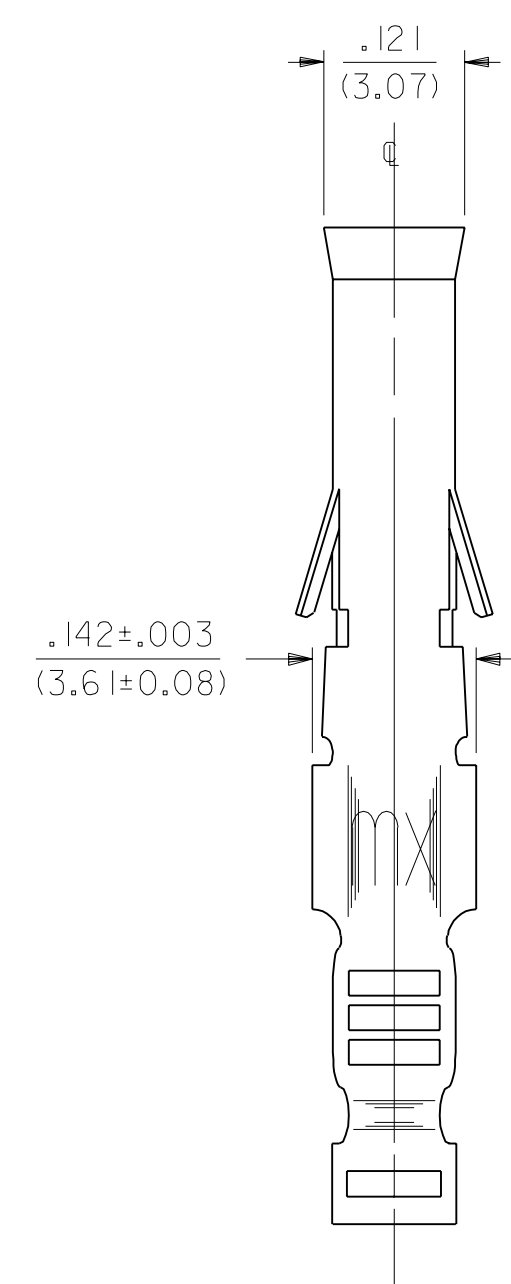
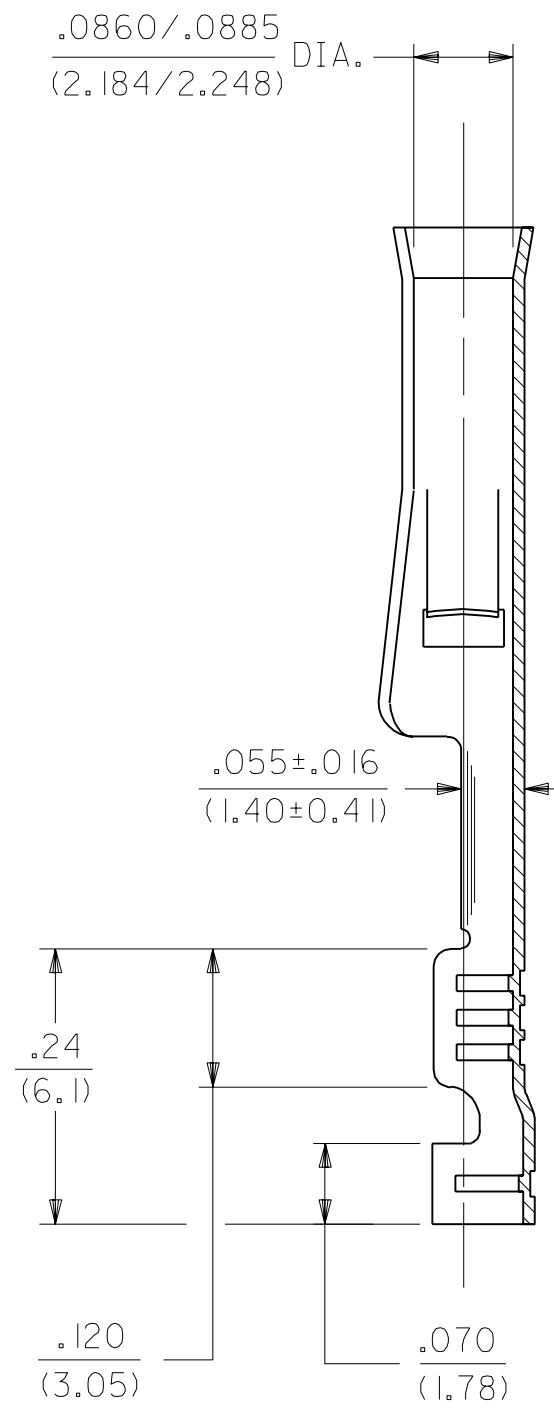
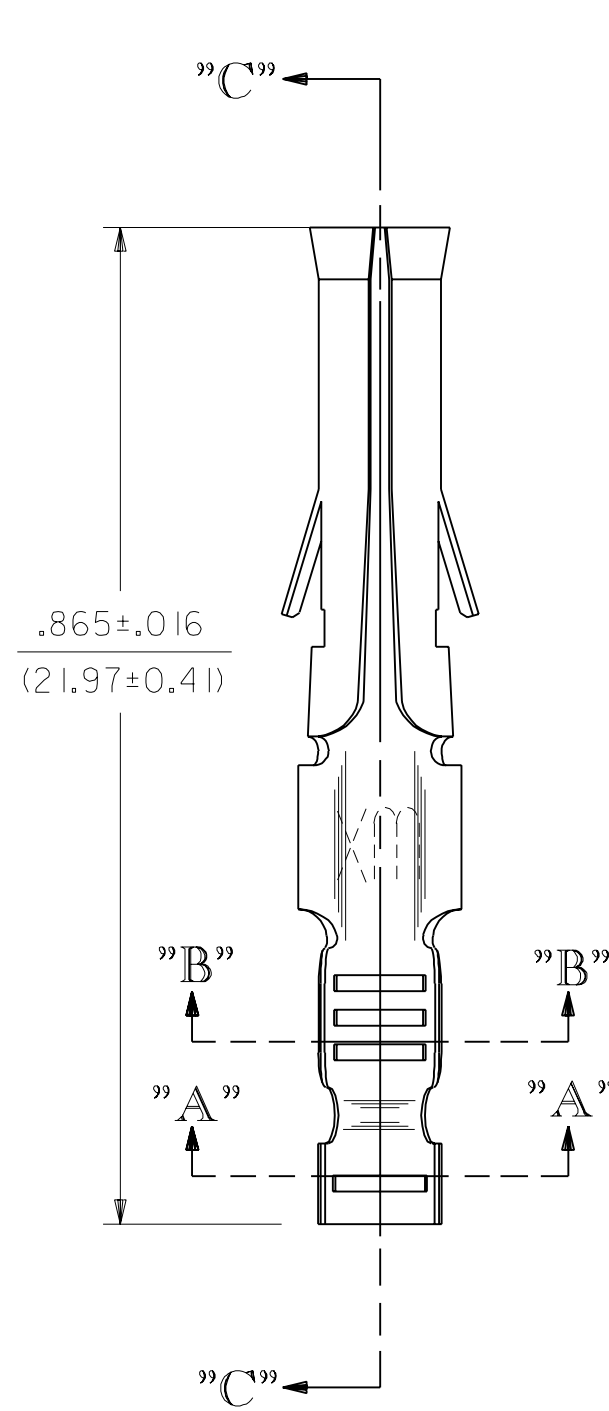


PART NO.	ENG. NO.
02-09-1138	2871-A(P90)I
02-09-1139	2871-A(P90)IL
	-
	-
	-



SECTION "A-A"

SECTION "B-B"



SECTION "C-C"

LEGEND

2871-A(****)*

FORM
BLANK=STD. CHAIN
L=LOOSE

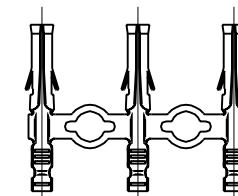
P=PREPLATE
BLANK=POSTPLATE

FINISH CODE

NOTES:

1. MATERIAL: BRASS
2. FINISHES:
901 HOT TIN DIP .000020/(0.0005) MIN.
3. THIS PART CONFORMS TO PRODUCT SPEC. PS-43660-9999.
4. TERMINAL FOR USE WITH .093/(2.36) SERIES HOUSINGS AND WILL ACCEPT 22 - 24 AWG WIRE.
5. INSERTION FORCE: 3.5 LBS. AVG. WHEN TERMINAL IS INSERTED INTO AN .093 SERIES HOUSING.
6. CONTACT RETENTION: 20 LBS. MIN. FROM HOUSING.

CHAIN FORM
FULL SCALE



REV.	BARREL ID	DATE
C	UCP#2003-0819 SMITH	12/09/02
B	REVISE PER ECR U5 0799 CVC	2/14/95 RW
A	FINAL RELEASE ECR U1 0857 CVC	6/11/92 RW

DIMENSIONS SHOWN (METRIC) INCH	
UNLESS OTHERWISE SPECIFIED TOLERANCES: ANGULAR ± 1/2°	
INCH	METRIC
3 PLACE ± .010	---
2 PLACE ± .014	± 0.25
1 PLACE ---	± 0.36

REVISIONS

MFG.	SH.	REV.	LTR.	REVISIONS

TITLE
CRIMP TERM., FEMALE
.093/(2.36) DIA.
FOR 22 - 24 AWG WIRE

MOLEX INCORPORATED
LITSL, ILL. 60532 U.S.A.

SHEET NO. 1 of 1
DATE 6/11/92

DRWG. BY: GWF
CHK'D. BY: RW
APP'D. BY: GWF
SCALE: 6 : 1

SEE CHART SD-2871-*

THIS DRAWING CONTAINS INFORMATION THAT IS PROPRIETARY TO MOLEX INC. AND SHOULD NOT BE USED WITHOUT WRITTEN PERMISSION.