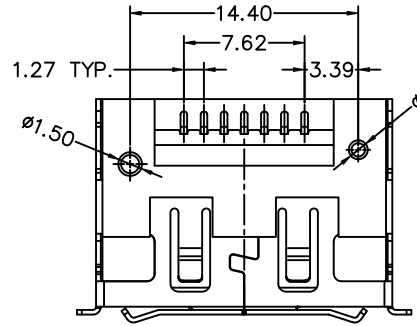
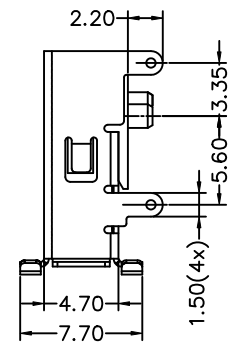
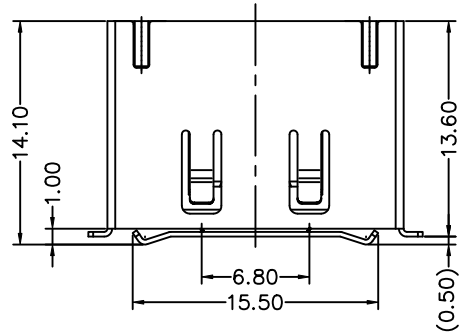
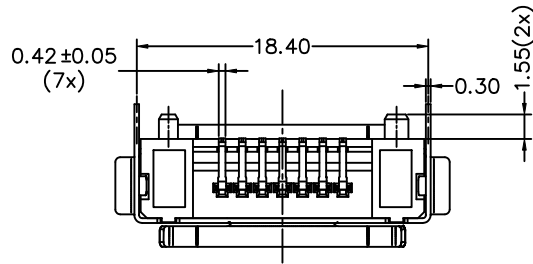


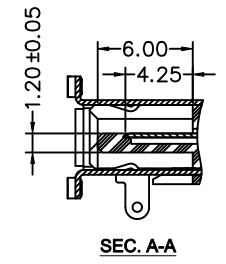
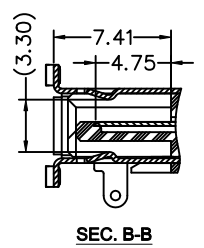
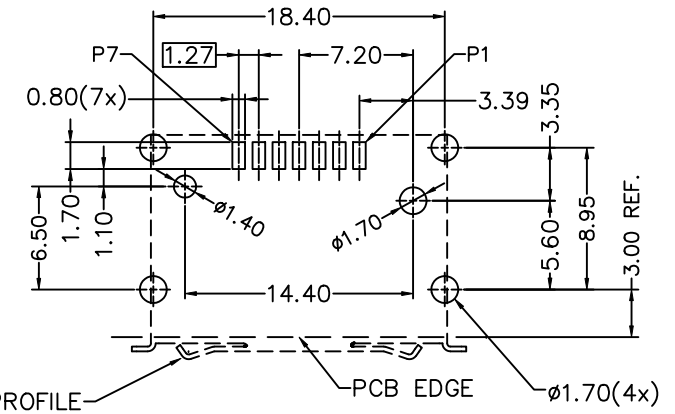
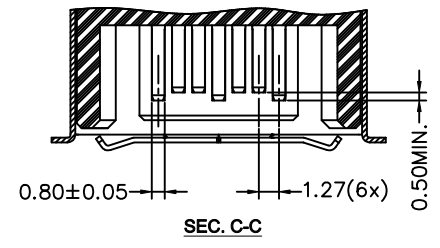
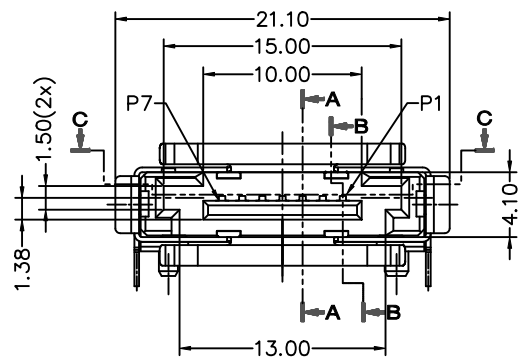
Tous droits strictement reserves. Reproduction ou communication a des tiers interdite sous quelque forme que ce soit sans autorisation ecrite du proprietaire. Propriete de c FCI. Droits de reproduction FCI.



All rights strictly reserved. Reproduction or issue to third parties in any form whatever is not permitted without written authority from the proprietor. Property of FCI. Copyright FCI.



- NOTES:
- MATERIAL: HOUSING: HIGH TEMP PLASTIC WITH 30 % G/F UL94 V-0
COLOR: BLACK
CONTACT: COPPER ALLOY, T=0.25mm
SHELL: COPPER ALLOY, T=0.30mm
 - FINISH:
CONTACT: GOLD PLATING ON CONTACT AREA 100u" MIN. MATTE TIN
PLATING ON SOLDER TAILS 50u" MIN. NICKEL UNDERPLATING OVER ALL
SHELL: BRIGHT TIN PLATING 100u" MIN.
50u" MIN. NICKEL UNDERPLATING OVER ALL
 - PRODUCT SPEC: GS-12-402
PACKING SPEC: GS-14-1109
 - THE HOUSING WILL WITHSTAND EXPOSURE TO 260C PEAK TEMP FOR 10 SEC. IN A CONVECTION, INFRA-RED OR VAPOR PHASE REFLOW OVEN.
 - PRODUCT NUMBERING:
10105449 - 00 X X LF
LEAD FREE
R: T&R PACKING
1. 15U" GOLD AT CONTACT



mat'l. code				tolerances unless otherwise specified			CUSTOMER COPY	FCI www.fciconnect.com	
ltr	ecn no	dr	date	linear	.X ± 0.38		projection	title	
A	T09-1147	S.LIN	11/17/09		.XX ± 0.25			E-SATA PLUG R/A	
					.XXX ± 0.15			TOP MOUNT SMT TYPE	
				angles	0° ± 2°		MM	product family	
				dr	STERLING LIN	11/17/09		SATA	
				enrg	STERLING LIN	11/17/09		code	
				chr	GARY HSIEH	11/17/09		size	
				appd	JOSEPH HSIA	11/17/09		dwg no	
sheet index	revision sheet	A	1	scale	NA		A4	10105449	
								cage code	